

B&W

p·r·e·f·e·r·e·n·c·e

User Manual

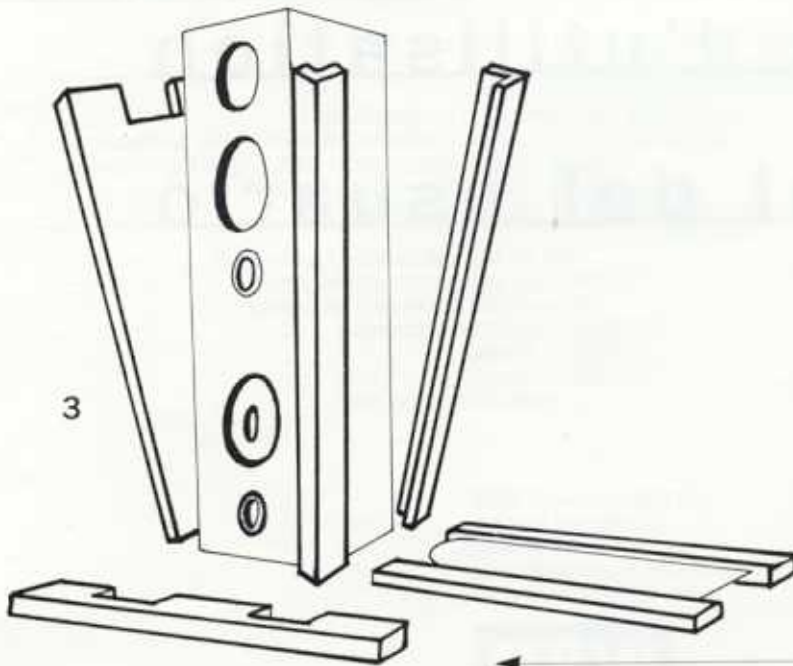
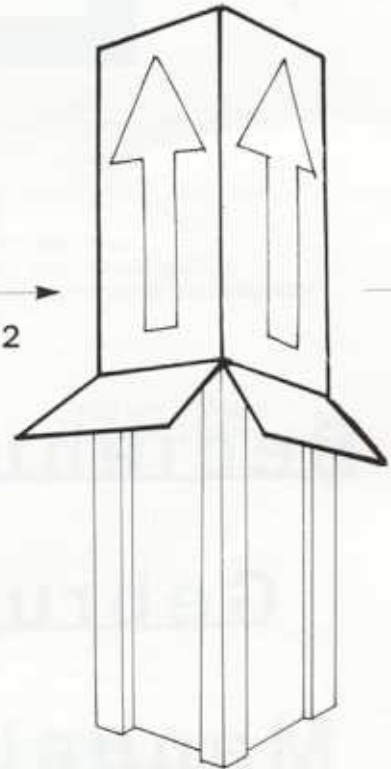
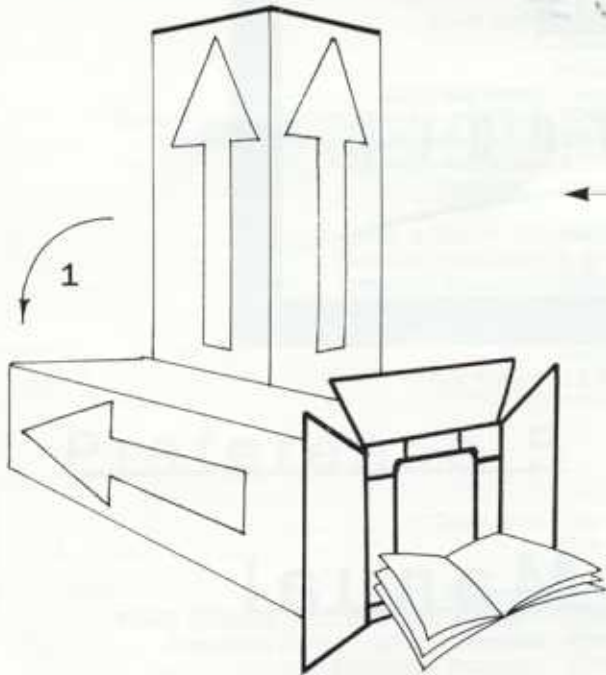
Bedienungsanleitung

Gebruiksaanwijzing

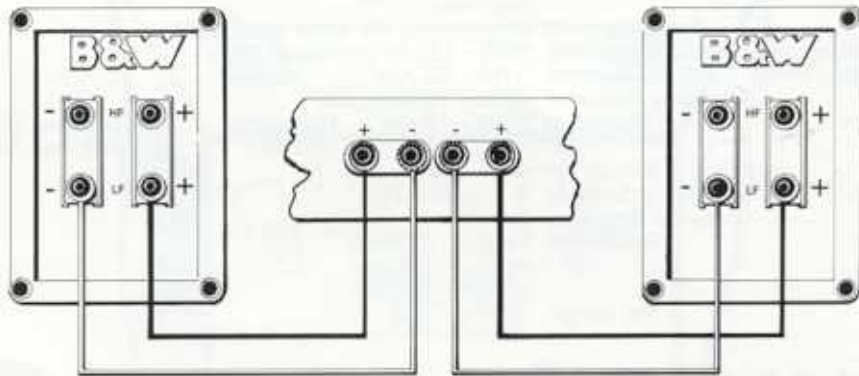
Manual d'utilisation

Manual del usuario

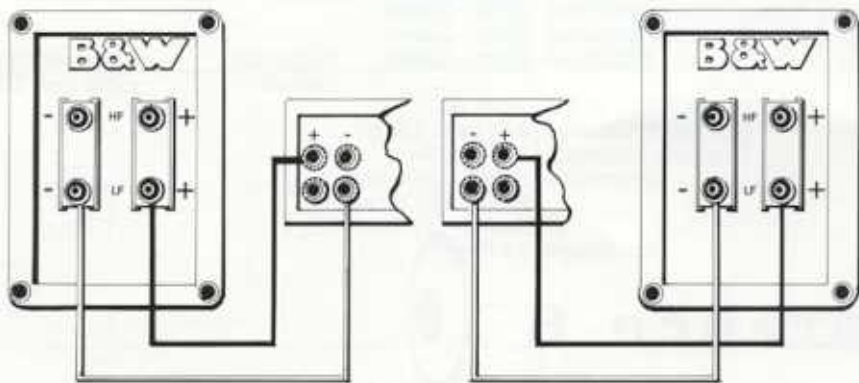
Unpacking,
Auspacken, Uitpakken,
Deballage, Desembalaje



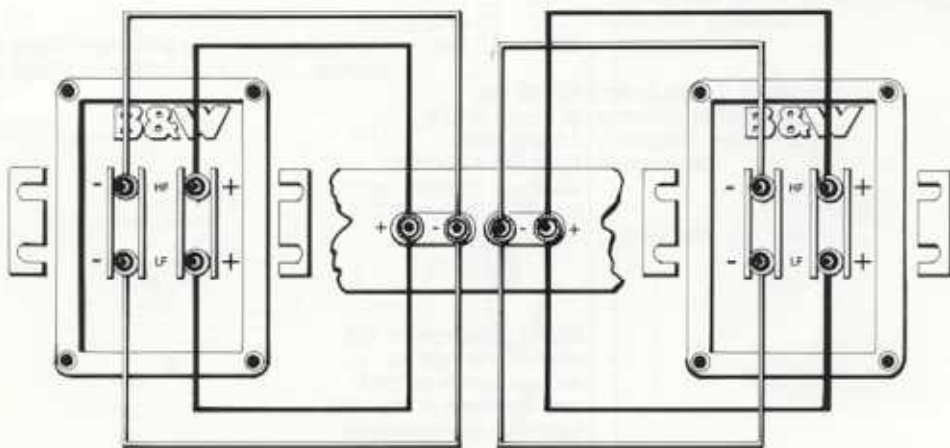
Electrical connection,
Anschliessen der Lautsprecher,
Aansluiten, Connexion



Stereo amp single wire

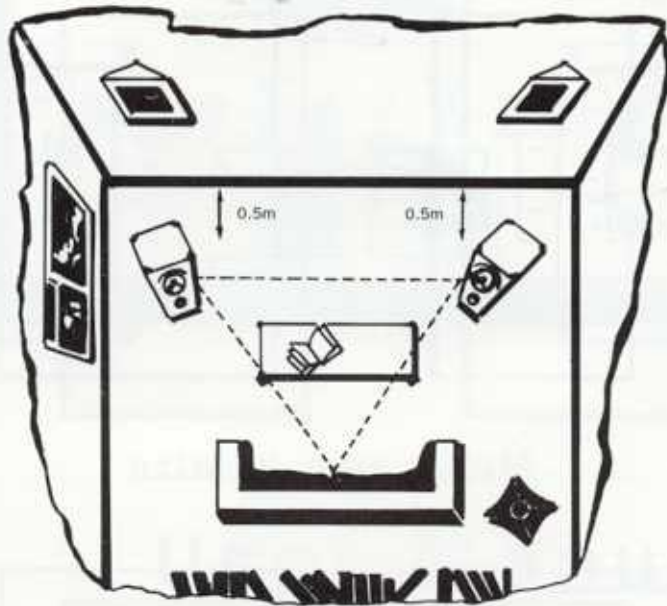


Mono amp single wire

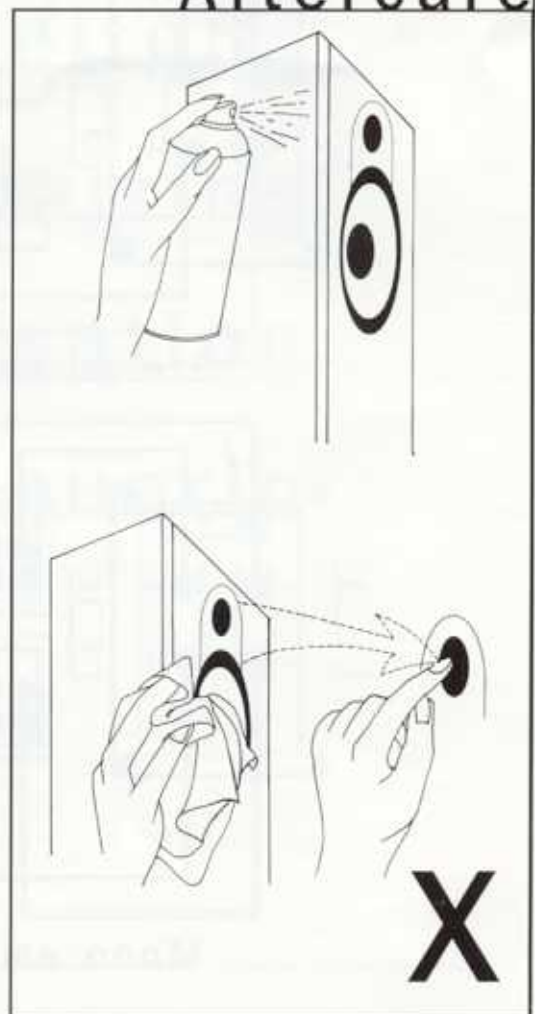
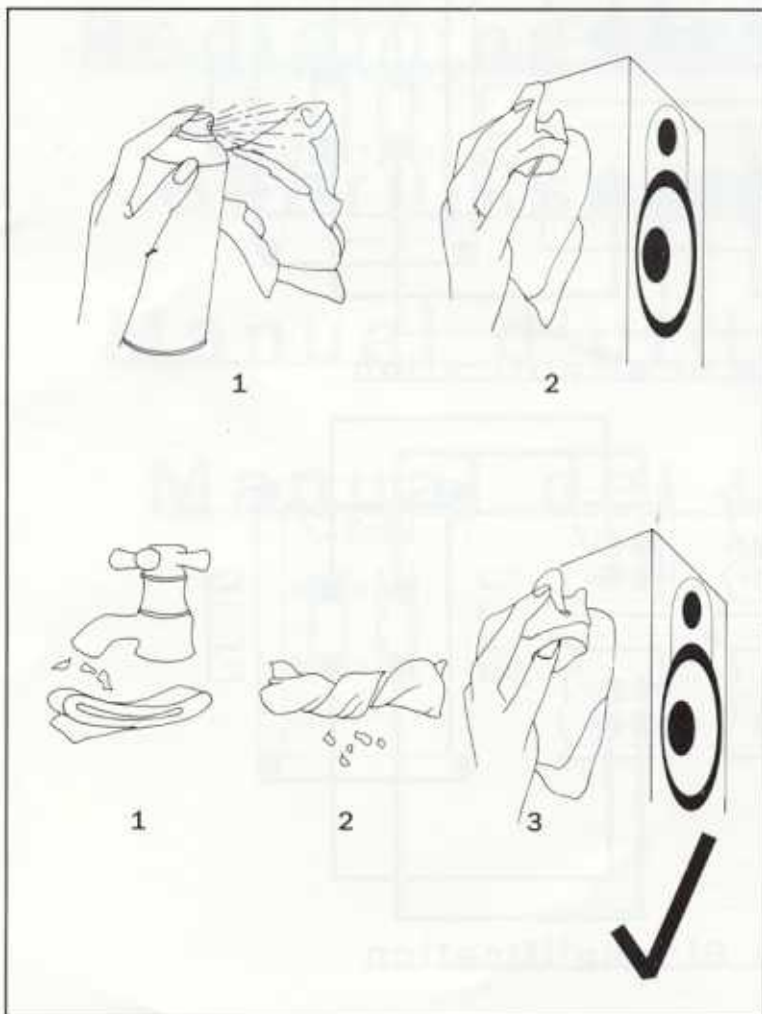


Stereo amp bi wire

Installation, installieren,
installeren, installation,
instalacion



Aftercare



Specifications

Preference 4

Drive Units	One x 165mm high power Kelvar® cone bass/mid range One x 26mm magnetic fluid cooled metal dome high - frequency		
Bass Alignment	Overdamped 4th order tapered line		
Power Handling (recommended amplifier)	50W - 120 W undistorted		
Frequency Range (-6dB frequencies)	37Hz - 22 KHz		
Frequency Response	42Hz - 20 KHz ±2dB		
Dispersion	20Hz - 10 kHz	Horizontal:	±2dB over 60° arc
		Vertical:	±2dB over 10° arc
Sensitivity 2.83V at 1m	88dB spl		
Nominal Impedance	8 Ω (min 3.7Ω)		
Crossover frequency	3.5kHz		
Dimensions	Height: 810mm Width: 200mm Depth: 240mm		
Net Weight	13.5Kg		

Preference 5

Drive Units	One x 165mm high power Cobex® cone bass One x 165mm high power Kelvar® cone bass/midrange One x 26mm magnetic fluid cooled metal dome high-frequency		
Bass Alignment	Twin 4th order vented-box		
Power Handling (recommended amplifier)	50W - 200W undistorted		
Frequency Range (-6dB frequencies)	28Hz - 22kHz		
Frequency Response	32Hz - 20kHz		
Dispersion	20Hz - 10kHz	Horizontal:	±2dB over 60deg arc
		Vertical:	±2dB over 10deg arc
Sensitivity 2.83V at 1m	90dB spl		
Nominal Impedance	8 Ω (min 3.5Ω)		
Crossover frequency	150 Hz, 3kHz		
Dimensions	Height: 905mm Width: 200mm Depth: 285mm		
Net Weight	14.5Kg		

Preference 6

Drive Units	One x 165mm high power Cobex® cone bass One x 165mm high power Kevlar® cone bass/midrange One x 26mm magnetic fluid cooled metal dome high-frequency		
Bass Alignment	Twin 4th order vented box		
Power Handling (recommended amplifier)	50W - 200W undistorted		
Frequency Range (-6dB frequencies)	26Hz - 22 KHz		
Frequency Response	30Hz - 20 KHz ±2dB		
Dispersion	20Hz - 10 kHz	Horizontal:	±2dB over 60deg arc
		Vertical:	±2dB over 10deg arc
Sensitivity 2.83V at 1m	90 dB spl		
Nominal Impedance	8Ω (min 3.5Ω)		
Crossover frequency	150Hz, 3kHz		
Dimensions	Height: 1000mm Width: 200mm Depth: 300mm		
Net Weight	18.5Kg		

B&W Loudspeakers Ltd,
reserve the right to
amend details of their
specifications in line with
technical developments

B&W

L I S T E N A N D Y O U ' L L S E E

© B&W Loudspeakers Ltd, Meadow
Road, Worthing, West Sussex, England,
BN11 2RX, 1994.

Printed in England