

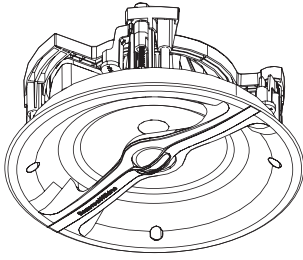
Marine 6

Marine 8

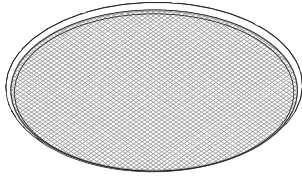
1



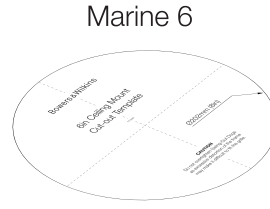
2 x **a**



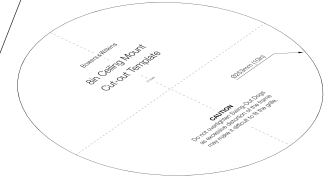
2 x **c**



1 x **b**



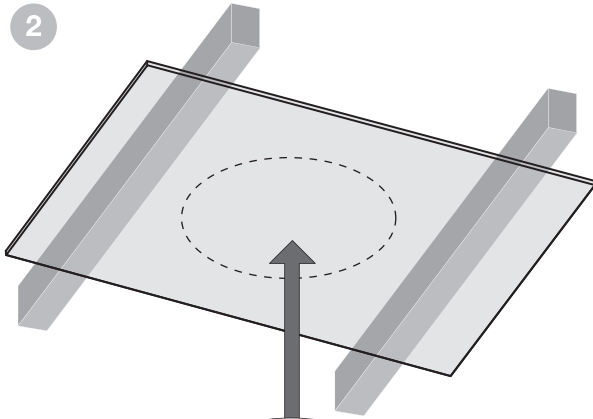
Marine 8



1 x **d**



2

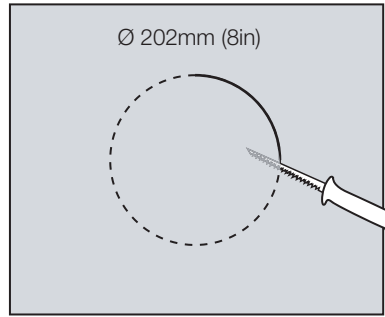


b



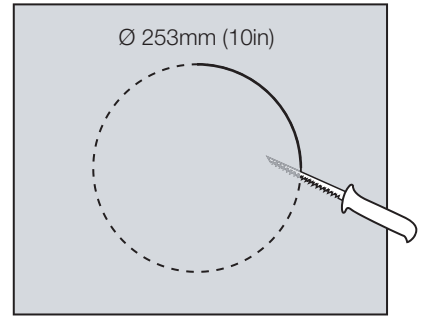
Marine 6

Ø 202mm (8in)

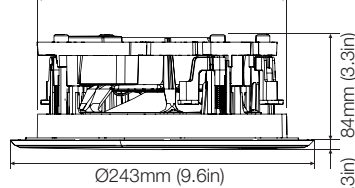


Marine 8

Ø 253mm (10in)



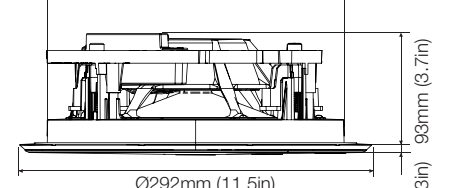
Ø200mm (7.8in)



Ø243mm (9.6in)

8mm (0.3in)

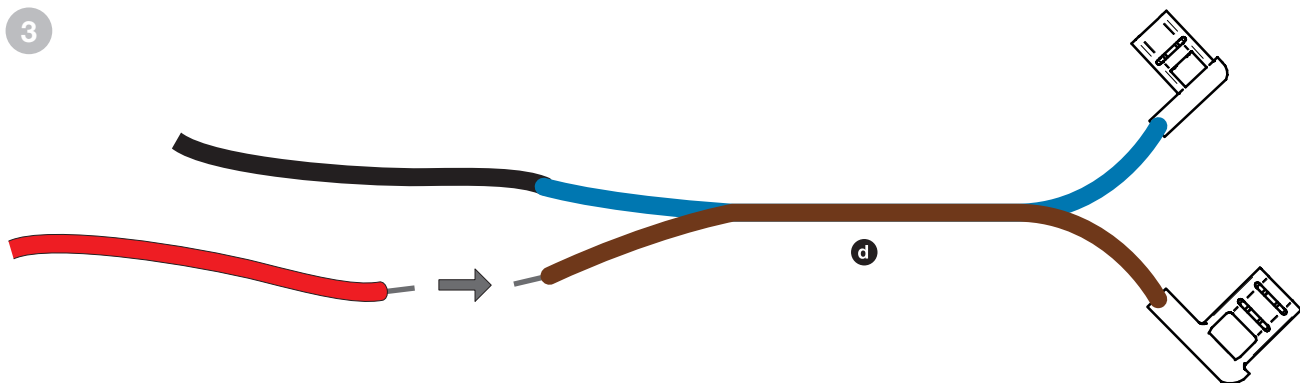
Ø249mm (9.8in)



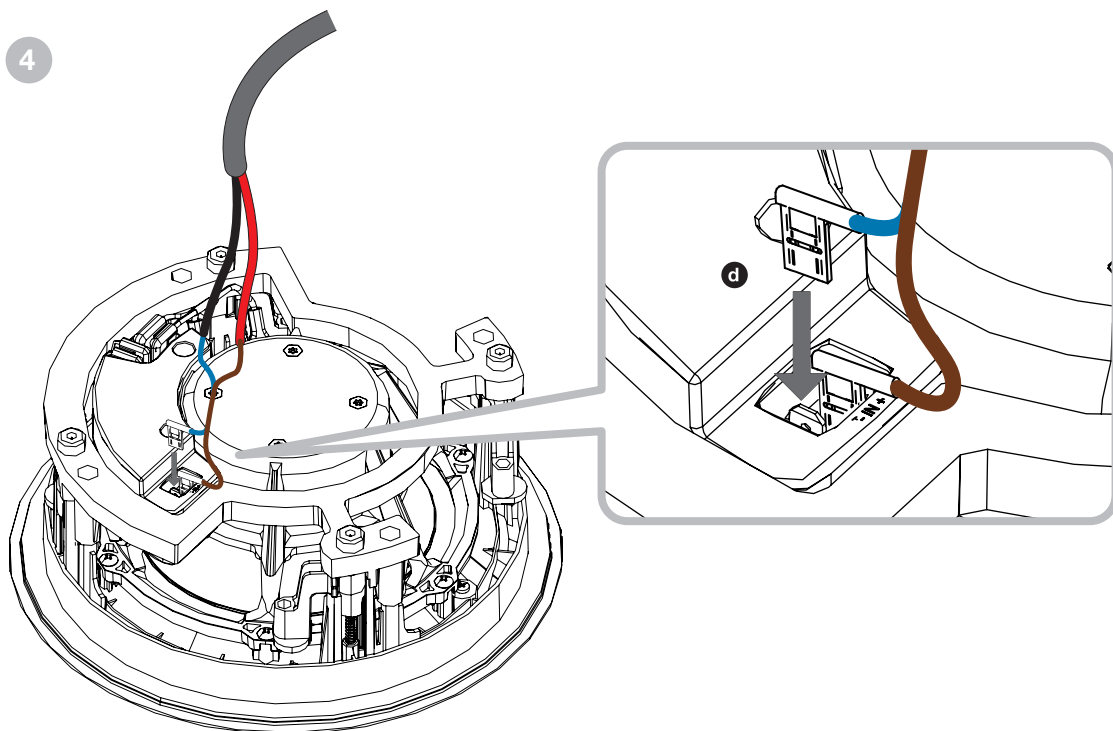
Ø292mm (11.5in)

8mm (0.3in)

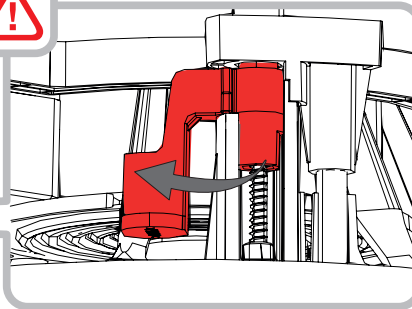
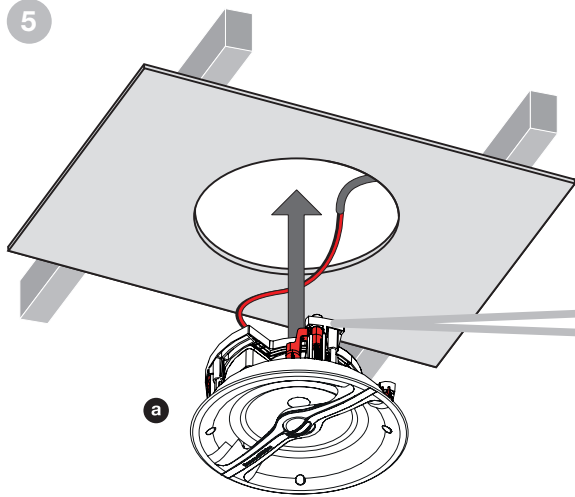
3



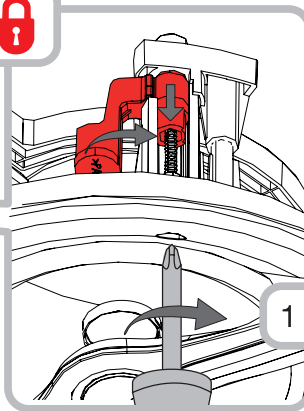
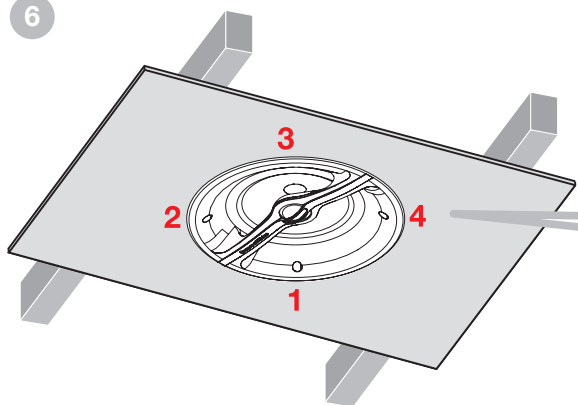
4



5

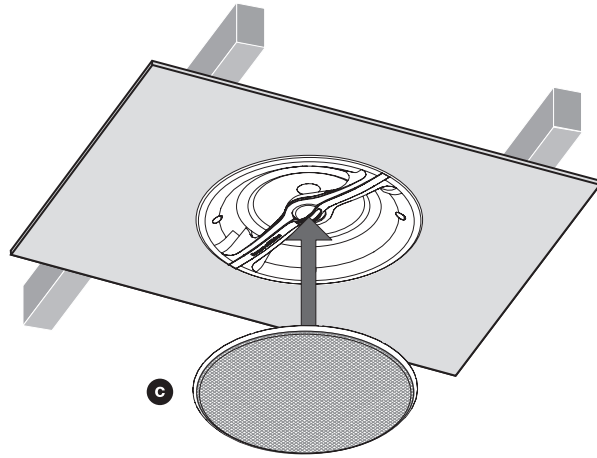
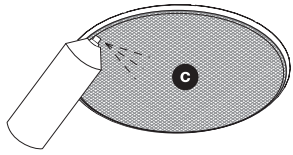


6

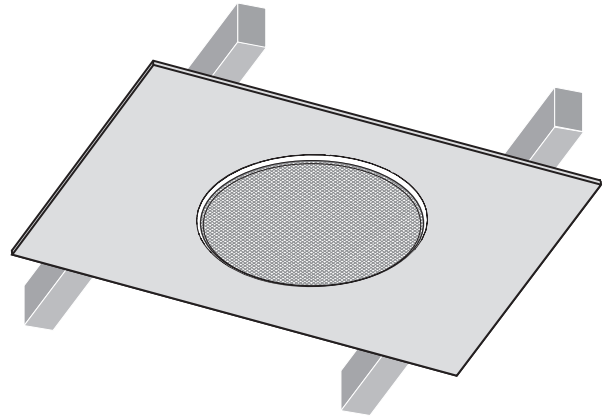
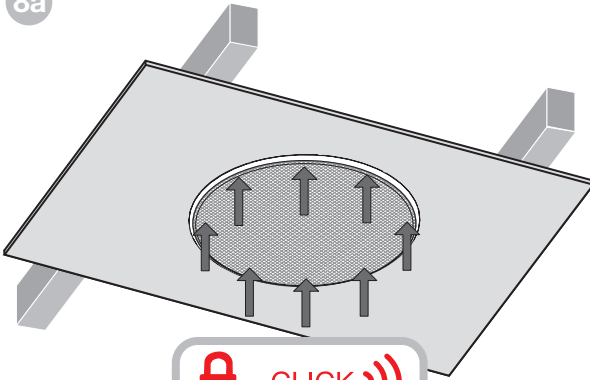


1 Nm max.

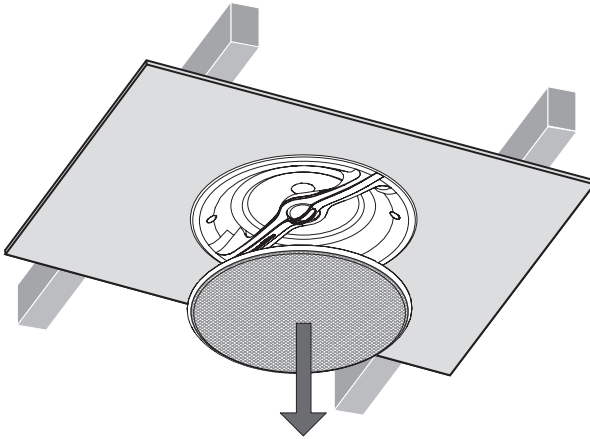
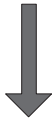
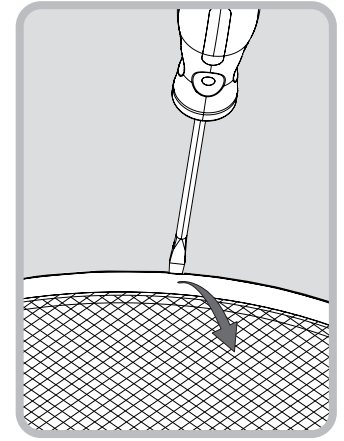
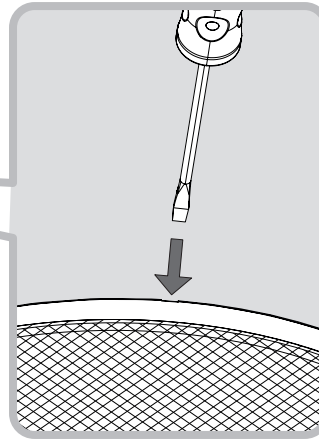
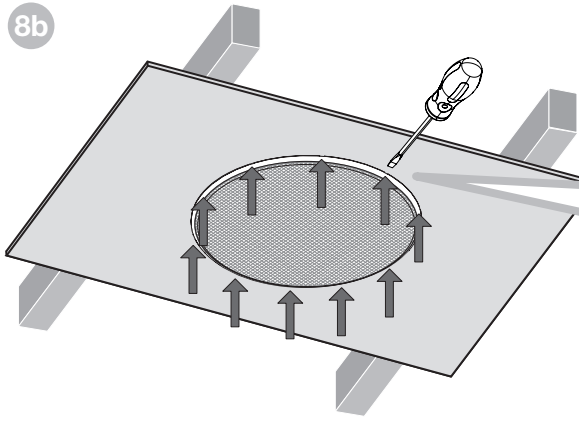
7



8a



8b



EU DECLARATION OF CONFORMITY

We,

B&W Group Ltd.

whose registered office is situated at

Dale Road, Worthing, West Sussex, BN11 2BH, United Kingdom

declare under our sole responsibility that the products:

Marine 6 and Marine 8

comply with the EU Electro-Magnetic Compatibility (EMC) Directive 2014/30/EU, in pursuance of which the following standards have been applied:

EN 61000-6-1 : 2007
EN 61000-6-3:2007+A1:2011
EN 55020:2007+A11:2011
EN 55013:2013

and comply with the EU General Product Safety 2001/95/EC, in pursuance of which the following standard has been applied:

EN 60065:2014

This declaration attests that the manufacturing process quality control and product documentation accord with the need to assure continued compliance.

The attention of the user is drawn to any special measures regarding the use of this equipment that may be detailed in the owner's manual.

Signed:



G Edwards
Executive Vice President, Operations
B&W Group Ltd.

Bowers & Wilkins

B&W Group Ltd
Dale Road
Worthing West Sussex
BN11 2BH England

T +44 (0) 1903 221 800
F +44 (0) 1903 221 801
info@bwgroup.com
www.bowers-wilkins.com

B&W Group (UK Sales)
T +44 (0) 1903 221 500
E uksales@bwgroup.com

B&W Group North America
T +1 978 664 2870
E marketing@bwgroupusa.com

B&W Group Asia Ltd
T +852 3 472 9300
E info@bwgroup.hk

Copyright © B&W Group Ltd. E&OE
Printed in China.