



See nothing, hear everything

The effort we put into speaker research is not just intended to benefit high-end hi-fi products but potentially to be applied anywhere that high quality audio is needed. By combining a woven Kevlar® cone 180mm (7 in) bass/midrange driver with a Nautilus™ tube-loaded, offset 25mm aluminium dome tweeter, the CCM 817 demonstrates this principle perfectly. The audible results are startling. The CCM 817 achieves a level of sound quality previously unknown for a ceiling speaker and, if mounted appropriately, capable rivalling that of conventionally located hi-fi speakers. For a custom install product however, the whole package, not just the sound quality, is vital and the CCM 817 combines its extraordinary performance with an integrated tilt chassis that enables orientation with the listening position and simple, effective swing out dog fixings.

Technical Specification

| | |
|------------------------------------|---|
| Technical features | Audiophile quality speaker system 30° angled drive units Woven Kevlar® cone mid/bass |
| Description | 2-way in-ceiling speaker system |
| Drive units | 1x ø25mm (1 in) Nautilus™ tube loaded aluminium dome tweeter 1x ø180mm (7 in) Kevlar® cone bass/midrange both units angled at 30° |
| Frequency range | -6dB at 40Hz and 50kHz |
| Frequency response | 45Hz-22kHz ±3dB on reference axis |
| Sensitivity | 89dB spl (2.83V, 1m) |
| Nominal impedance | 8Ω (minimum 3.5Ω) |
| Crossover frequency | 3.5kHz |
| Recommended amplifier power | 20W - 150W continuous into 8Ω on unclipped programme |
| Frame size | Diameter: 271mm (10.7 in) x 242mm (8.5 in) |
| Cut-out size | Diameter: 234mm (9.2 in) |
| Min depth req | 102mm (4 in) from ceiling surface |
| Protrusion | 63mm (2.5 in) |
| Net weight | 2.6 kg (5.7lb) |
| Finish | Semi-matt white suitable for customising or pre-painting |
| Accessories | Pre-mount kit for new construction (PMK 817) |



CCM 817

Architectural and Engineering Specifications

The loudspeaker system shall be of the mono-amped 2-way type comprising of a single elliptical angled baffle enclosure, containing one 7in bass-mid driver with woven Kevlar cone and one offset mounted, Nautilus™ tube-loaded, 25mm aluminium dome tweeter.

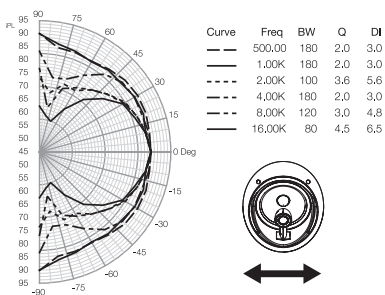
Performance specifications of a typical production unit shall meet or exceed the following:

Frequency response shall be 45 – 22kHz ± 3dB. Nominal impedance shall be 8 Ohm. Total power handling shall be 150W continuous into 8 Ohm on unclipped programme. Sensitivity measured with 2.83V at 1-meter distance on axis, mean averaged between 45 – 22kHz shall be 89dB.

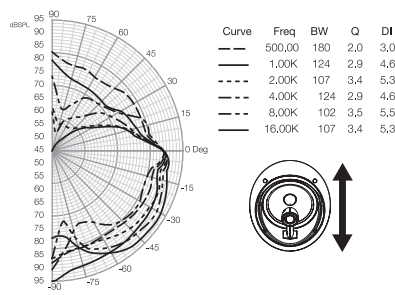
External dimensions shall be an ellipse 271mm (10.7in) x 242mm (9.5in), 165mm (6.5in) depth. Total weight shall be 2.6kg (5.7lb).

The loudspeaker system shall be the B&W CCM 817. No other system shall be acceptable unless the above combined performance are equalled or exceeded.

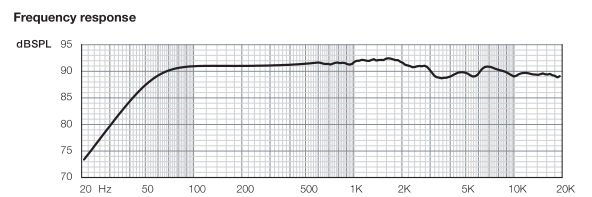
Polar Response Horizontal



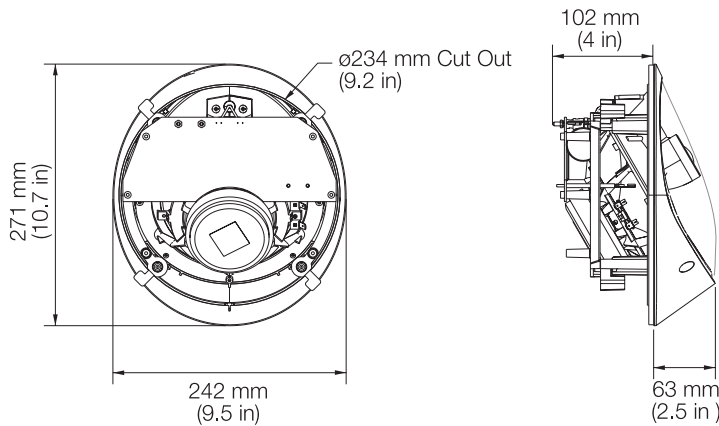
Polar Response Vertical



Frequency Response



Dimensions



Bowers & Wilkins

www.bowers-wilkins.com

Copyright © B&W Group Ltd. E & OE.
B&W Group Ltd reserves the right to amend details of the specifications without notice in line with technical developments.