



## See nothing, hear everything

CCM 626 is a 2-way ceiling speaker incorporating an offset adjustable tilt tweeter and a three-position EQ switch to provide extra installation versatility by allowing the sound to be tailored to the installation. Offsetting the tweeter smooths its response, while the adjustable tilt provides directional adjustment and the EQ switch offers high frequency tonal options. CCM 626 features a 165mm (6½ in) woven glass fibre cone bass/midrange driver and an Ultra-12 tweeter in a chassis incorporating simple and effective swing-out dog fixings.

## Technical Specification

<b>Technical features</b>	<b>Three-position EQ switch</b> <b>Offset adjustable tilt ultra-12 tweeter</b> <b>Swing-out dog fixings</b>
<b>Description</b>	2-way in-ceiling speaker system
<b>Drive units</b>	1x ø25mm (1 in) ultra-12 high-frequency 1x ø165mm (6.5 in) woven fibreglass mid/bass
<b>Frequency range</b>	-6dB at 40Hz and 22kHz
<b>Frequency response</b>	50Hz-20kHz ±3dB on reference axis
<b>Sensitivity</b>	89dB spl (2.83V, 1m)
<b>Nominal impedance</b>	8Ω (minimum 3.1Ω)
<b>Crossover frequency</b>	3.2kHz
<b>Recommended amplifier power</b>	20W - 130W continuous into 8Ω on unclipped programme
<b>Frame size</b>	Diameter: 232mm (9.1 in)
<b>Cut-out size</b>	Diameter: 205mm (8.1 in)
<b>Min depth req</b>	103mm (4.1 in) from ceiling surface
<b>Net weight</b>	1.5kg (3.3lb)
<b>Finish</b>	Semi-matt white suitable for customising or pre-painting (paint mask included)
<b>Accessories</b>	Pre-mount kit for new construction (PMK c65)



# CCM 626

## Architectual and Engineering Specifications

The loudspeaker system shall be of the mono-amped 2-way type comprising of a single flush mountable circular enclosure containing one 6.5in bass-mid driver with woven glass fibre cone and one offset mounted adjustable tilt 1in Ultra 12 tweeter with 3 position EQ switch.

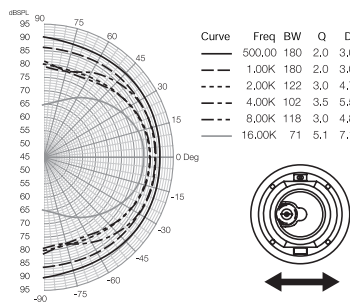
Performance specifications of a typical production unit shall meet or exceed the following:

Frequency response shall be 50 – 20kHz  $\pm$  3dB. Nominal impedance shall be 8 Ohm. Total power handling shall be 130W continuous into 8 Ohm on unclipped programme. Sensitivity measured with 2.83V at 1-meter distance on axis, mean averaged between 50 – 20kHz shall be 89dB.

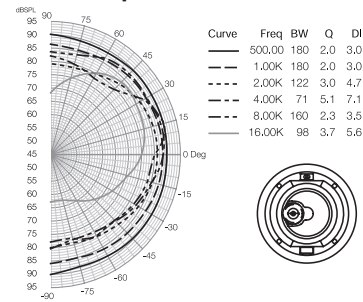
External dimensions shall be 232mm (9.1in) diameter x 107mm (4.2in) depth. Total weight shall be 1.5kg (3.3lb).

The loudspeaker system shall be the B&W CCM 626. No other system shall be acceptable unless the above combined performance are equalled or exceeded.

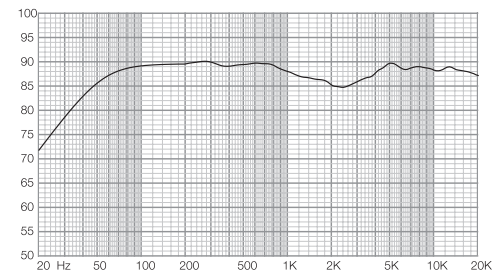
### Polar Response Horizontal



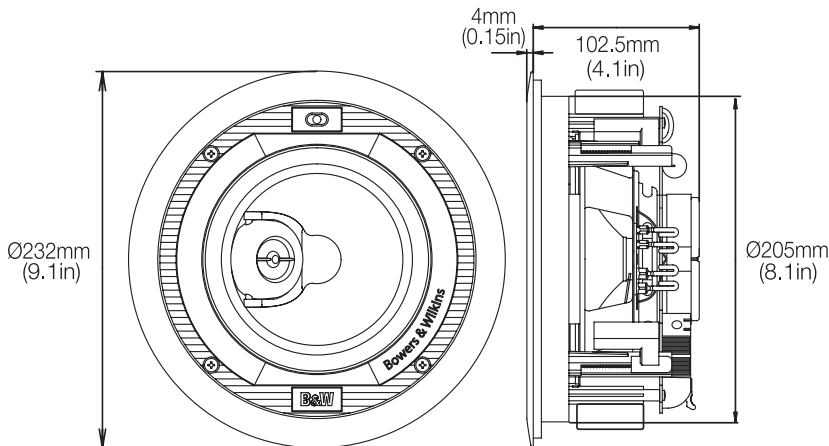
### Polar Response Vertical



### Frequency Response



### Dimensions



## B&W Bowers & Wilkins

B&W Group Ltd  
Dale Road  
Worthing West Sussex  
BN11 2BH England

T +44 (0) 1903 221800  
F +44 (0) 1903 221801  
info@bwgroup.com  
www.bwspeakers.com

UK Group (UK Sales)  
T +44 1903 221 500  
E uksales@bwgroup.com

B&W Group North America  
T +1 978 664 2870  
E marketing@bwgroupusa.com

B&W Group Asia Ltd  
T +852 2 869 9916  
E showroom@bwgroup.hk

Copyright © B&W Group Ltd. E & OE.

B&W Group Ltd reserves the right to amend details of the specifications without notice in line with technical developments.