



Figure 1

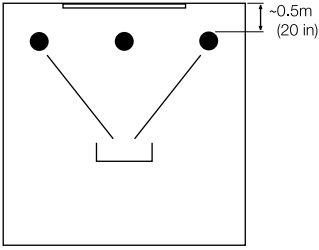


Figure 2

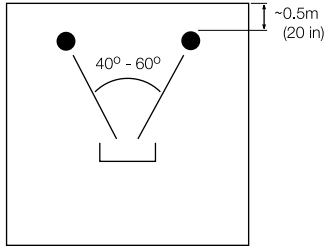


Figure 3

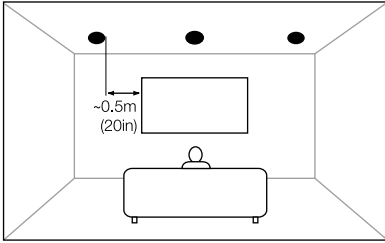


Figure 4a

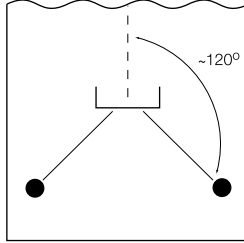


Figure 4b

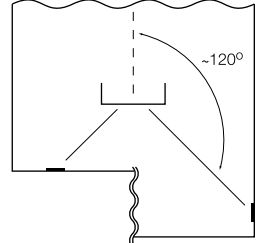


Figure 5

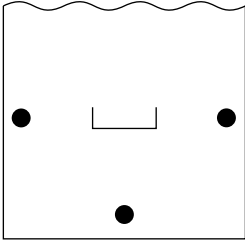


Figure 6

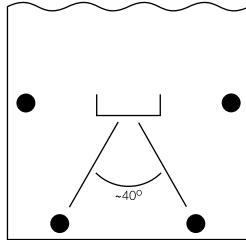


Figure 7

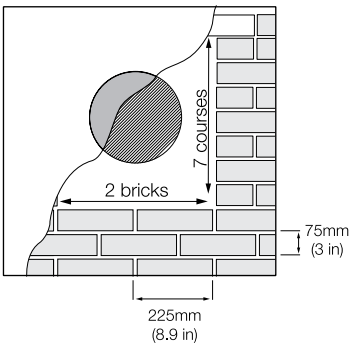


Figure 8

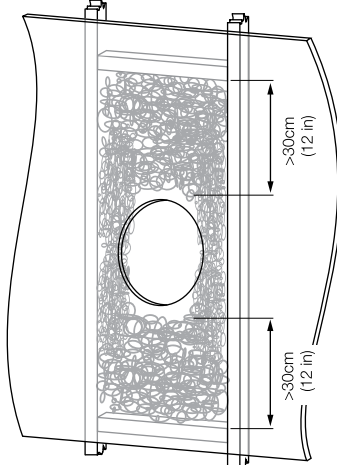


Figure 9

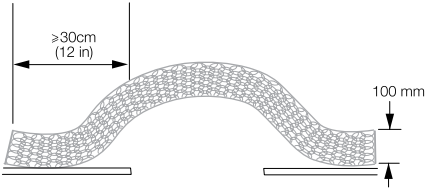
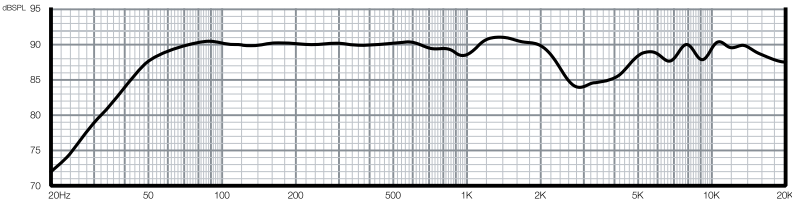


Figure 10

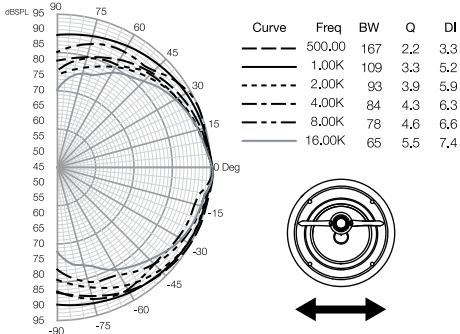
AWG	0.2 Ω	0.3 Ω	0.4 Ω	0.5 Ω	Loop Resistance
20	10	15	20	25	Feet
18	16	23	31	39	
16	25	37	49	62	
14	39	59	78	98	
12	62	93	124	155	
10	98	147	196	245	
9	123	185	247	309	

mm ²	0.2 Ω	0.3 Ω	0.4 Ω	0.5 Ω	Loop Resistance
0.5	2.9	4.4	5.9	7.4	Metres
0.75	4.4	6.6	8.8	11.0	
1	5.9	8.8	11.8	14.7	
1.5	8.8	13.2	17.6	22.1	
2.5	14.7	22.1	29.4	36.8	
4	23.5	35.3	47.1	58.8	
6	35.3	52.9	70.6	88.2	

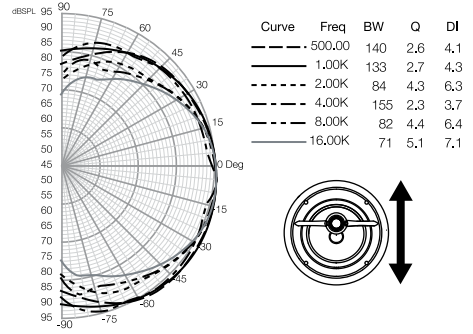
Frequency response



Polar Response Horizontal



Polar Response Vertical



smaller!

Contents

English

Owner's Manual.....	2
Limited Warranty.....	4

Français

Manuel d'utilisation.....	5
Garantie limitée.....	7

Deutsch

Bedienungsanleitung.....	8
Garantie.....	10

Español

Manual de instrucciones.....	11
Garantía limitada.....	13

Português

Manual do utilizador....	14
Garantia limitada.....	16

Italiano

Manuale di istruzioni ...	17
Garanzia limitata.....	19

Nederlands

Handleiding.....	20
Garantie.....	22

Ελληνικά

Οδηγίες Χρήσεως.....	23
Περιορισμένη εγγύηση.....	26

Русский

Руководство по эксплуатации.....	27
Ограниченная гарантия.....	29

Česky

Návod k použití.....	31
Záruka.....	33

Magyar

Használati útmutató ...	34
Korlátozott garancia ..	36

Polski

Instrukcja użytkownika.....	37
Gwarancja.....	39

日本語

取扱説明書.....	40
有限保証.....	41

中文

用户说明书.....	42
有限担保.....	44

EU Declaration of Conformity.....	46
--------------------------------------	----

Technical Specifications.....	48
----------------------------------	----

English

Owner's manual

Dear customer,

Thank you for purchasing Bowers and Wilkins CCM818 speakers.

Since its foundation in 1966, the continuing philosophy of B&W has been the quest for perfect sound reproduction. Inspired by the company's founder, the late John Bowers, this quest has entailed not only high investment in audio technology and innovation but also an abiding appreciation of music and movies to ensure that the technology is put to maximum effect.

The CCM818 is an audiophile quality speaker, primarily designed for in-ceiling mounting in 2-channel and home theatre installations. Its angled baffle enables the optimum listening axis to be directed more towards the listening area, which improves sound quality and imaging in a way that normal ceiling speakers cannot offer. It also has applications as an in-wall surround speaker.

However, no matter how good the speakers themselves, they will not deliver their full potential unless properly installed. Please read through this manual fully. It will help you optimise the performance of the system.

B&W distributes to over 60 countries worldwide and maintains a network of dedicated distributors who will be able to help should you have any problems your dealer cannot resolve.

Environmental Information



All B&W products are designed to comply with international directives on the Restriction of Hazardous Substances (RoHS) in electrical and electronic equipment and the disposal of Waste Electrical and Electronic Equipment (WEEE). These symbols indicate compliance and that the products must be appropriately recycled or processed in accordance with these directives. Consult your local waste disposal authority for guidance.

Check the contents

This pack should contain:

- 1x Baffle with drive units and crossover
- 1x Grille
- 1x Paint mask
- 1x Alignment template

Choosing the position

Check that there is no conflict with other installations (pipe work, air conditioning, power cabling etc.). In existing drywall construction, use a stud-finding tool to map the construction accurately and a pipe detector to scan the proposed installation position.

Refer to the section drawing of the speaker and ensure that there is enough clearance behind the plasterboard (sheetrock) for the clamps to swing out fully.

Avoid installing the speakers in the same cavity as flimsy ducting, which may be induced to rattle.

The speakers are designed to operate satisfactorily in a wide range of cavity volumes, ideally above 20 litres (0.7 cu ft), so make sure the volume is not too restricted by cross studs.

In solid wall/ceiling construction, be prepared to provide a cavity in the wall/ceiling that extends outside the boundaries of the speaker's frame, otherwise bass performance will be compromised.

The speakers are balanced for half-space mounting (ie flush in a ceiling or soffit). Placement near a wall/ceiling junction or in a corner may give rise to too much bass and a boomy quality to the sound. Try to keep the speakers at least 0.5m (20in) from wall/ceiling edges.

The following sections give guidance on optimum positioning, but this may be modified in line with domestic constraints.

Stray Magnetic Fields

The speaker drive units create stray magnetic fields that extend beyond the boundaries of the cabinet. We recommend you keep magnetically sensitive articles (CRT television and computer screens, computer discs, audio and video tapes, swipe cards and the like) at least 0.5m (20 in) from the speaker. LCD and plasma screens are not affected by magnetic fields.

Front speakers for audio or home theatre

The CCM 818 is ideal for use when it is required that the speakers be mounted in the ceiling so as to be as unobtrusive as possible. For home theatre, they should be mounted about 0.5m (20 in) from the plane of the screen or the front wall in the case of an audio-only installation. The frame should be rotated so that the bass/midrange drive units are directed towards the listening area. (figure 1)

For 2-channel applications, the speakers should subtend an angle of between 40° and 60° at the centre of the listening area. (figure 2)

For home theatre, the left and right speakers should be approximately 0.5m (20 in) from the sides of the screen. (figure 3)

Surround speakers

The speakers should normally be positioned in the ceiling with the frame rotated so that the bass/midrange drive units are directed towards the centre of the listening area.

5.1 channel

The horizontal angle to the centre of the listening position should be approximately 120° round from the centre of the screen.

The speakers may also be successfully mounted in the side wall for this application. They should be positioned at least 60cm (2 ft) above ear height and with the frames rotated so that the bass/midrange drive units are directed towards the centre of the listening area. (figure 4)

6.1 channel

Position two speakers to the sides in line with the centre of the listening area and one centrally behind the listeners, with the frames rotated so that the bass/midrange drive units are directed towards the centre of the listening area. (figure 5)

7.1 channel

Position two speakers to the sides in line with the centre of the listening area and two behind the listeners, subtending an angle of approximately 40°. (figure 6)

PREPARING THE LOCATION

Choosing cable

Excessive resistance in the speaker cable wastes power and alters the frequency response of the speaker. Always try to keep the resistance as low as possible with the loop resistance preferably below 0.5 ohms for non-critical applications and below 0.2 ohms for best results. Use the table of figure 10 to calculate the minimum gauge of cable required.

Existing drywall construction (retrofit)

Mark the centre position of the speaker and position the template so the mark shows through the hole in the middle.

Trace round the outer edge of the template and cut neatly just inside the line.

To improve the mechanical integrity of the ceiling or wall and reduce the likelihood of rattles, we recommend you apply a bead of wood glue or mastic along the joints between the back of the plasterboard and the studs in the vicinity of the speaker.

Run the cable to the aperture, allowing enough length to comfortably connect the speaker, but not too much, as the excess may rattle against the structure.

New drywall construction

The speaker can be installed once the ceiling or wall is completed in the same manner as retrofitting, but it is easier to position and cut the hole if the optional pre-mount kit is used before the plasterboard (sheetrock) is fitted.

Staple or nail the PMK to the studs as described in the instructions with the kit. Run the cable and secure it to the fixing point on the PMK. Allow enough length to comfortably connect the speaker, but not too much, as the excess may rattle against the structure.

Results are affected by how well the plasterboard is attached to the studs and we recommend gluing as well as screwing or nailing the panels to the studs in the vicinity of the speaker.

Once the board is fitted, the inner flange of the PMK serves as a guide for a hole router or saw.

Solid wall construction

In order for the bass performance not to be compromised, the speaker requires a cavity volume of at least 20 litres (0.7 cu ft). This means that, in a standard 10cm (4 in) thick wall, the cavity will extend

beyond the boundaries of the speaker frame. It is possible to provide this cavity simply by using a lintel, covering the hole with plasterboard and fitting the speaker as described above for retrofitting into a drywall. (figure 7)

Damping the cavity

Fill the wall cavity, allowing room for the speaker itself, with unlined fibreglass or mineral wool matting. The packing density should be just enough to comfortably prevent the material from dropping or sagging over time. In an open wall cavity, fill to a distance of at least 30cm (1 ft) above and below the speaker. (figure 8)

In the ceiling, drape the matting at the back of the ceiling board, covering the aperture and extending at least 30cm (1 ft) around the speaker into open void. (figure 9)

IMPORTANT: Ensure that the materials you use meet local fire and safety regulations.

Fitting the speaker

All connections should be made with the equipment switched off.

Connect the cable, observing the correct polarity.

With the grille removed, position the speaker in the aperture and screw in the 4 screws visible from the front (see the note above in the contents section). These screws automatically swing out clamping dogs that locate behind the mounting surface. Ensure that they have located properly before fully tightening the screws. A certain amount of flexing of the frame is allowed to take up unevenness in the mounting surface, but do not over-tighten the screws as excessive distortion of the speaker frame may result.

Adjusting the speaker

The speaker is designed to point towards the listening area and for most instances this gives best results. However, for some surround speaker applications, better overall results may be obtained if the sound is directed away from the listening area.

Typically this may apply if:

- The room is particularly live and the sound becomes harsh.
- The listening area is a large proportion of the room. Increasing the amount of reflected sound and reducing the amount of direct sound may give a better average balance between the speakers for all listeners.

Customising

The frame and grille have a paintable white semi-matte finish, ready if necessary to be re-finished to match your own decor.

Before painting the grille, remove it from the frame.

Do not re-finish the drive units or baffle area behind the grille. Use the paint mask provided. Avoid touching the drive units, as damage may result.

Limited Warranty

This product has been designed and manufactured to the highest quality standards. However, if something does go wrong with this product, B&W Group Ltd. and its national distributors warrant free of charge labour (exclusion may apply) and replacement parts in any country served by an official B&W distributor.

This limited warranty is valid for a period of five years from the date of purchase or two years for electronics including amplified loudspeakers.

Terms and Conditions

- 1 The warranty is limited to the repair of the equipment. Neither transportation, nor any other costs, nor any risk for removal, transportation and installation of products is covered by this warranty.
- 2 This warranty is only valid for the original owner. It is not transferable.
- 3 This warranty will not be applicable in cases other than defects in materials and/or workmanship at the time of purchase and will not be applicable:
 - a. for damages caused by incorrect installation, connection or packing,
 - b. for damages caused by any use other than correct use described in the user manual, negligence, modifications, or use of parts that are not made or authorised by B&W,
 - c. for damages caused by faulty or unsuitable ancillary equipment,
 - d. for damages caused by accidents, lightning, water, fire heat, war, public disturbances or any other cause beyond the reasonable control of B&W and its appointed distributors,
 - e. for products whose serial number has been altered, deleted, removed or made illegible,
 - f. if repairs or modifications have been executed by an unauthorised person.
- 4 This guarantee complements any national/regional law obligations of dealers or national distributors and does not affect your statutory rights as a customer.

How to claim repairs under warranty

Should service be required, please follow the following procedure:

- 1 If the equipment is being used in the country of purchase, you should contact the B&W authorised dealer from whom the equipment was purchased.
- 2 If the equipment is being used outside the country of purchase, you should contact the B&W national distributor in the country of residence who will advise where the equipment can be serviced. You can call B&W in the UK or visit our web site to get the contact details of your local distributor.

To validate your warranty, you will need to produce the warranty booklet completed and stamped by your dealer on the date of purchase. Alternatively, you will need the original sales invoice or other proof of ownership and date of purchase.

Français

Manuel d'utilisation

Cher Client,

Nous vous remercions d'avoir choisi ces enceintes acoustiques Bowers & Wilkins CCM818.

Depuis sa création en 1966, la philosophie de B&W a été la recherche permanente de la perfection de la reproduction sonore. Inspirée par son fondateur, le regretté John Bowers, cette quête a nécessité non seulement d'importants investissements dans la technologie audio, mais aussi une profonde connaissance de la musique et des spécificités du son cinématographique.

La CCM818 est une enceinte acoustique de qualité audiophile, conçue avant tout pour encastrement au plafond dans des installations stéréo ou Home Cinéma. Son baffle avant orienté permet d'obtenir un axe de diffusion optimal vers la zone d'écoute, afin d'améliorer simultanément la qualité sonore et la spatialisation, ce que les haut-parleurs encastrés traditionnels ne permettent pas. Elle trouvera également une application excellente comme enceinte arrière Surround encastrée dans un mur.

Cependant, quelle que soit la qualité intrinsèque d'une enceinte acoustique, elle ne peut délivrer ses meilleures performances que correctement installée. Nous vous conseillons donc de lire attentivement ce manuel d'utilisation ; il vous aidera à optimiser les performances de votre installation.

B&W est distribué dans plus de 60 pays dans le monde entier, par l'intermédiaire de distributeurs spécialement sélectionnés ; ceux-ci pourront vous aider à résoudre d'éventuels problèmes ignorés par votre revendeur.

Information sur la protection de l'environnement



Tous les produits B&W sont conçus en conformité totale avec les normes internationales concernant l'interdiction d'utilisation de certaines substances dangereuses (RoHS) dans les équipements électriques et électroniques, ainsi que la possibilité de recyclage des matériaux utilisés (WEEE, pour Waste Electrical and Electronic Equipment). Ces symboles indiquent la compatibilité avec ces directives, et le fait que les appareils peuvent être correctement recyclés ou traités dans le respect total de ces normes. Consultez l'organisme officiel de votre région pour le traitement des produits.

Vérification du contenu de l'emballage

Vérifiez que le carton contienne bien :

- 1x baffle avec les haut-parleurs et le filtre
- 1x grille de protection frontale
- 1x masque de protection pour peinture
- 1x gabarit d'alignement

Choix de la position

Vérifiez qu'il n'y ait aucun conflit avec une autre installation (tuyau, climatisation, câblage électrique, etc.). Dans les cloisons en dur existantes, utilisez des outils spéciaux pour sonder soigneusement le mur et détecter la présence éventuelle de conduits.

Reportez-vous au schéma de l'enceinte pour vérifier qu'il y a suffisamment d'espace derrière une cloison creuse pour son encastrement, et que ses fixations pourront être fermement maintenues.

Évitez d'installer les enceintes dans une cavité où se trouvent déjà des gaines flottantes susceptibles de vibrer.

Les enceintes sont conçues pour fonctionner parfaitement dans une large gamme de volumes de charge, idéalement supérieurs à 20 litres ; assurez-vous que le volume ne soit pas limité par des renforts internes.

Dans un mur ou un plafond plein, une cavité sera creusée dans ce mur/plafond, cavité qui devra dépasser les limites externes de l'enceinte sous peine d'en limiter les performances dans le grave.

Les enceintes sont équilibrées pour un montage dans un espace relativement dégagé (mur ou cloison). Une position trop près de la jonction entre un mur et le plafond peut se traduire par un excès de grave et l'apparition de résonances dans les basses. Essayez de conserver une distance minimum de 0,5 mètre avec les angles murs/plafond de la pièce.

Les paragraphes suivants vous donnent quelques conseils pour un positionnement optimum, conseils qui peuvent être adaptés en fonction des contraintes particulières à chaque situation.

Champs magnétiques

Les haut-parleurs à l'intérieur de l'enceinte génèrent des champs magnétiques qui peuvent s'étendre au-delà du coffret de l'enceinte. Nous vous recommandons donc de tenir éloignés d'au moins 50 centimètres des enceintes les appareils sensibles à ces champs magnétiques (télévisions et moniteurs informatiques à tube cathodique CRT, cassettes et bandes magnétiques audio et vidéo, cartes magnétiques, etc.). Les écrans de type plasma et LCD ne sont pas affectés par ces champs magnétiques.

Enceintes frontales audio ou Home Cinema

La CCM818 est une enceinte idéale si les enceintes doivent être encastrées dans le plafond, de manière à rester les plus discrètes possibles. Pour le Home Cinéma, elles ne doivent pas être éloignées de plus de 0,5 mètre du plan formé par l'écran, ou du mur frontal, dans le cas d'une installation uniquement audio. Leur châssis sera orienté de telle manière que les haut-parleurs médium/grave soient dirigés vers la zone d'écoute. (figure 1)

Pour les applications deux canaux stéréo, les enceintes doivent former un angle compris entre 40° et 60° par rapport à la zone centrale d'écoute. (figure 2)

Pour le Home Cinema multicanal, les enceintes gauche et droite doivent être placées à environ 0,5 mètre des bords de l'écran. (figure 3)

Enceintes surround

Les enceintes doivent être installées au plafond avec leur châssis orienté de telle manière que les haut-parleurs médium/grave soient dirigés vers la zone centrale d'écoute.

5.1 canaux

L'angle horizontal formé par le centre de la position d'écoute doit être approximativement de 120° par rapport au centre de l'écran.

Les enceintes peuvent aussi être encastrées dans les murs pour ce type d'application. Elles doivent alors se trouver à au moins 60 cm de la hauteur des oreilles des spectateurs, avec les haut-parleurs médium/grave orientés de telle manière qu'ils soient dirigés vers la zone centrale d'écoute. (figure 4)

6.1 canaux

Placez deux enceintes sur les côtés, en ligne avec la zone centrale d'écoute, plus une au centre, derrière les spectateurs, avec les haut-parleurs médium/grave orientés de telle manière qu'ils soient dirigés vers la zone centrale d'écoute. (figure 5)

7.1 canaux

Placez deux enceintes sur les côtés, en ligne avec la zone centrale d'écoute, et deux enceintes derrière les spectateurs, formant un angle d'environ 40°. (figure 6)

PRÉPARATION DE L'INSTALLATION

Choix du câble

Une résistance électrique trop élevée du câble de liaison limite la puissance et altère la réponse en fréquence de l'enceinte. Toujours conserver la résistance la plus faible possible, de préférence au-dessous de 0,5 ohm pour les installations les plus critiques, et 0,2 ohm pour des résultats optimaux. Consultez le tableau de la figure 10 pour calculer le diamètre minimum (gauge) requis pour les câbles.

Cloison creuse existante

Marquez le centre de la position désirée pour l'enceinte, puis positionnez le gabarit en fonction de ce trou central.

Tracez le contour externe du gabarit sur le mur, puis couper la cloison précisément juste à l'intérieur de ce tracé.

Pour améliorer la rigidité mécanique de la cloison et éliminer tout risque de vibrations, nous vous recommandons d'appliquer un cordon de colle ou de mastic entre la cloison proprement dite et ses supports, dans tout le voisinage de l'enceinte.

Passez le câble dans l'ouverture, en laissant suffisamment de longueur pour pouvoir confortablement brancher l'enceinte, mais pas trop tout de même afin d'éviter tout risque de vibration ultérieure.

Nouvelle cloison creuse

L'enceinte peut être installée une fois la cloison posée, exactement comme dans le cas précédent. Mais il sera sûrement plus simple de localiser la position, faire le trou et fixer le kit de pré montage optionnel avant que le revêtement externe de la cloison ne soit mis en place.

Agrafez ou clouez le kit PMK aux supports de cloison comme indiqué dans les instructions fournies avec le kit. Passez le câble et sécurisez-le en le fixant sur le kit PMK. Laissez suffisamment de longueur pour pouvoir confortablement brancher l'enceinte, mais pas trop tout de même afin d'éviter tout risque de vibration ultérieure.

Les résultats dépendront aussi de la façon dont le revêtement de la cloison est fixé sur ses supports, et nous vous recommandons de coller, en plus d'une fixation par agrafage ou vissage, les panneaux placés près de l'enceinte.

Une fois le panneau fixé, les bords intérieurs du kit PMK servent de guides pour le sciage.

Mur plein

Afin que les performances dans les fréquences graves ne soient pas compromises, l'enceinte nécessite une cavité arrière d'un volume d'au moins 20 litres. Cela signifie que, sur un mur plein standard de 10 cm d'épaisseur, la cavité devra dépasser les limites visuelles de l'enceinte (largeur et hauteur). Une des solutions consiste à percer une ouverture plus grande soutenue par un linteau, puis à recouvrir le trou ainsi pratiqué avec un panneau de cloison creuse. La fixation de l'enceinte se fera alors comme dans les cas précédents. (figure 7)

Amortissement de la cavité

Remplissez la cavité derrière le haut-parleur avec de la laine de verre ou de la laine minérale. La densité de cet amortissement doit être juste suffisante pour éviter que le matériau employé ne se tasse ou ne se déplace avec le temps. Dans une paroi creuse, remplissez tout l'espace au moins à 30 cm au-dessus et au-dessous de l'enceinte. (figure 8)

Dans le plafond, tendez le revêtement à l'arrière du panneau, au-dessus de l'ouverture pratiquée et au moins sur 30 cm tout autour de celle-ci. (figure 9)

IMPORTANT : Assurez-vous que tous les matériaux employés satisfont bien aux normes de sécurité et anti-incendie en vigueur.

Installation de l'enceinte

Tous les branchements doivent être effectués avec l'équipement électronique éteint.

Branchez le câble, en respectant la polarité correcte.

La grille frontale étant retirée, positionnez l'enceinte dans son ouverture, et vissez les 4 vis visibles depuis la face avant (voir plus haut la note à la fin du paragraphe concernant le contenu de l'emballage). Ces vis déploient et serrent automatiquement les crochets de fixation placés derrière le châssis. Vérifiez qu'ils se sont tous positionnés correctement avant de

les visser à fond. Un certain degré de flexibilité du châssis est prévu pour compenser des irrégularités de la surface de montage, mais ne serrez pas trop les vis sous peine de déformer définitivement le châssis de l'enceinte.

Réglage de l'enceinte

L'enceinte est conçue pour être orientée vers la zone d'écoute, ce qui donnera les meilleurs résultats dans la très grande majorité des cas. Cependant, notamment en utilisation comme enceinte arrière Surround, il peut être préférable de ne pas diriger directement le son vers la zone privilégiée d'écoute.

Cette dernière situation concerne notamment :

- a. Une pièce d'écoute acoustiquement très brillante, avec un son devenant facilement agressif.
- b. La zone d'écoute correspond à la surface totale de la pièce. Augmenter la proportion de sons réfléchis tout en diminuant les sons directs peut alors donner un équilibre meilleur entre toutes les enceintes utilisées, pour tous les auditeurs présents dans la pièce.

Personnalisation

Le châssis et la grille frontale sont recouverts d'une peinture blanche semi-mate, prête à recevoir une peinture de finition adaptée à votre décoration.

Retirez la grille frontale avant peinture. Pour remettre la grille en place, alignez l'échancrure visible sur sa périphérie avec la saillie correspondante visible sur le châssis.

Ne jamais tenter de peindre les haut-parleurs ou la surface du baffle placée derrière la grille.

Garantie limitée

Ce produit a été conçu et fabriqué en vertu des normes de qualité les plus rigoureuses. Toutefois, en cas de problème, B&W Group Ltd. et ses distributeurs nationaux garantissent une main d'œuvre (exclusions possibles) et des pièces de rechange gratuites dans tout pays desservi par un distributeur agréé de B&W.

Cette garantie limitée est valide pour une période de cinq ans à compter de la date d'achat ou une période de deux ans pour les composants électroniques, y compris les haut-parleurs amplifiés.

Conditions

- 1 La garantie est limitée à la réparation de l'équipement. Les frais de transport ou autres, les risques associés à l'enlèvement, au transport et à l'installation des produits ne sont pas couverts par cette garantie.
- 2 La garantie est exclusivement réservée au propriétaire d'origine et ne peut pas être transférée.

- 3 Cette garantie ne s'applique qu'aux produits faisant l'objet de vices de matériaux et/ou de construction au moment de l'achat et ne sera pas applicable dans les cas suivants :
 - a. détériorations entraînées par une installation, connexion ou un emballage incorrect,
 - b. détériorations entraînées par un usage autre que l'usage correct décrit dans le manuel de l'utilisateur, la négligence, des modifications ou l'usage de pièces qui ne sont pas fabriquées ou agréées par B&W,
 - c. détériorations entraînées par un équipement auxiliaire défectueux ou qui ne convient pas,
 - d. détériorations résultant de : accidents, foudre, eau, chaleur, guerre, troubles de l'ordre public ou autre cause ne relevant pas du contrôle raisonnable de B&W ou de ses distributeurs agréés,
 - e. les produits dont le numéro de série a été modifié, effacé, éliminé ou rendu illisible,
 - f. les produits qui ont été réparés ou modifiés par une personne non autorisée.
- 4 Cette garantie vient en complément à toute obligation juridique nationale / régionale des revendeurs ou distributeurs nationaux et n'affecte pas vos droits statutaires en tant que client.

Comment faire une réclamation en vertu de la garantie

Veillez respecter la procédure ci-dessous, si vous souhaitez faire une réclamation sous garantie :

- 1 Si l'équipement est utilisé dans le pays d'achat, veuillez contacter le distributeur agréé de B&W qui a vendu l'équipement.
- 2 Si l'équipement est utilisé dans un pays autre que le pays d'achat, veuillez contacter le distributeur national B&W du pays de résidence, qui vous indiquera où vous pouvez faire réparer l'équipement. Vous pouvez appeler B&W au Royaume-Uni ou consulter notre site Web pour obtenir les coordonnées de votre distributeur local.

Afin de valider votre garantie, vous devrez présenter ce livret de garantie qui aura été rempli et tamponné par votre revendeur le jour de l'achat. En l'absence de ce livret, vous devrez présenter l'original de la facture commerciale ou une autre preuve d'achat et de la date d'achat.

Deutsch

Bedienungsanleitung

Sehr geehrte Kundin, sehr geehrter Kunde,

vielen Dank für den Kauf der CCM818-Lautsprecher von Bowers und Wilkins.

Seit der Gründung 1966 war B&Ws oberstes Anliegen die perfekte Klangwiedergabe. Inspiriert durch den Firmengründer John Bowers wird diesem Streben nicht nur durch hohe Investitionen in die Audio-technologie und stetige Investitionen Rechnung getragen, sondern auch durch die Liebe zur Musik und zu Filmen, um sicherzustellen, dass die Technologie optimal eingesetzt wird.

Der CCM818 ist ein audiophiler Qualitätslautsprecher, der hauptsächlich für den Einsatz als Deckeneinbaulautsprecher in 2-Kanal- und HiFi-Cinema-Anwendungen konzipiert wurde. Die winklige Schallwand ermöglicht eine optimale Hörachse, die mehr in Richtung Hörbereich ausgerichtet ist. Dadurch heben sich Klangqualität und Klangbild deutlich von herkömmlichen Deckenlautsprechern ab. Dieser Einbaulautsprecher lässt sich auch als Surroundlautsprecher nutzen.

Unabhängig davon, wie gut die Lautsprecher selbst auch klingen – sie können ihr gesamtes Potenzial nur entfalten, wenn sie auch ordnungsgemäß eingebaut sind. Lesen Sie sich diese Bedienungsanleitung bitte vollständig durch. Sie wird Ihnen dabei helfen, die Systemleistung zu optimieren.

B&W liefert weltweit in über 60 Länder und verfügt über erfahrene Distributoren, die Ihnen zusammen mit dem autorisierten Fachhändler jederzeit weiterhelfen, um Ihnen den Musikgenuss zu Hause zu ermöglichen.

Umweltinformation



B&W-Produkte entsprechen den internationalen Richtlinien über die Beschränkung der Verwendung bestimmter gefährlicher Stoffe in Elektro- und Elektronikgeräten (Restriction of Hazardous Substances (kurz RoHS genannt)) und über Elektro- und Elektronik-Altgeräte (Waste Electrical and Electronic Equipment (WEEE)). Die hier abgebildeten Symbole stehen für deren Einhaltung und besagen, dass die Produkte ordnungsgemäß recycelt oder diesen Richtlinien entsprechend entsorgt werden müssen. Erkundigen Sie sich diesbezüglich bei der örtlichen Abfallentsorgung.

Prüfen des Inhalts

Der Karton enthält:

- 1x Schallwand mit Chassis und Frequenzweiche
- 1x Lautsprecherabdeckung
- 1x Lackiermaske
- 1x Montage-Schablone

Auswahl der Position

Prüfen Sie bei einer bestehenden Konstruktion aus Trockenbauplatten genau, ob und wo sich Balken, Leitungen und Rohre befinden.

Stellen Sie sicher, dass hinter der Gipsbauplatte genügend Abstand für das vollständige Ausfahren der Schnellbefestigungen ist.

Vermeiden Sie es, die Lautsprecher in dieselbe Öffnung wie dünne Rohrleitungen einzubauen, da diese mitschwingen können.

Die Lautsprecher sind in Öffnungen unterschiedlicher Größe einsetzbar. Ideal ist eine Einbaubauöffnung von mehr als 20 Litern Volumen. Stellen Sie daher sicher, dass das Volumen nicht zu stark durch Querbalken eingeschränkt wird.

Bei einer festen Wand-/Deckenkonstruktion benötigen Sie eine Öffnung in der Wand/Decke, die über die Grenzen des Lautsprecherrahmens hinausgeht. Ansonsten wird die Tieftonleistung beeinträchtigt.

Die Lautsprecher werden bündig (z.B. in eine Decke) eingesetzt. Eine Platzierung in der Nähe des Wand-/Deckenübergangs oder in einer Ecke ist zu vermeiden, da dies zu einer Verstärkung des Basses und zu einem Dröhnen führt. Installieren Sie die Lautsprecher möglichst in einem Abstand von mehr als 0,5 m zu den Wand-/Deckenkanten.

Den folgenden Abschnitten können Sie Hinweise zur optimalen Positionierung entnehmen. Die Rahmenbedingungen können jedoch, je nach den Wohnbedingungen, variieren.

Magnetische Streufelder

Die Lautsprecherchassis erzeugen ein magnetisches Streufeld, das über die Gehäusegrenzen hinaus reicht. Daher empfehlen wir, einen Mindestabstand von 0,5 m zwischen magnetisch empfindlichen Artikeln (CRT-Fernsehgeräten, Computerbildschirmen, Discs, Audio- und Videobändern, Scheckkarten usw.) und Lautsprecher zu bewahren. Magnetische Streufelder haben keinen Einfluss auf LCD- und Plasma-Bildschirme.

Einsatz als Frontlautsprecher für Audio oder HiFi-Cinema

Der CCM818 lässt sich optimal einsetzen, wenn Sie Lautsprecher benötigen, die sich möglichst unauffällig in die Decke integrieren lassen. Bei HiFi-Cinema-Anwendungen sollte der Abstand zur Bildschirmenebene bzw. im Falle einer reinen Audioanwendung zur vorderen Wand ca. 0,5 m betragen. Drehen Sie den Rahmen so, dass die Tieftmitteltöner in Richtung Hörbereich zeigen (Figure (Abb.) 1).

Bei 2-Kanal-Anwendungen bilden die Lautsprecher einen Winkel zwischen 40° und 60° zum Zentrum des Hörbereichs (Figure (Abb.) 2).

Bei Heimkinoanwendungen sollte der Abstand zu den Bildschirmseiten ca. 0,5 m betragen (Figure (Abb.) 3).

Surroundlautsprecher

Bei normaler Positionierung der Lautsprecher in der Decke ist der Rahmen so ausgerichtet, dass die Tieftmitteltöner auf das Zentrum des Hörbereichs zeigen.

5.1-Kanal

Der horizontale Winkel zum Zentrum der Hörposition sollte ca. 120° zum Bildschirmmittelpunkt liegen.

Die Lautsprecher können bei dieser Anwendung auch optimal in die Seitenwand eingebaut werden. Dabei sollten sie mindestens 60 cm über Ohrhöhe positioniert werden und die Rahmen so ausgerichtet sein, dass die Tiefmitteltöner zum Zentrum des Hörbereichs zeigen (Figure (Abb.) 4).

6.1-Kanal

Positionieren Sie zwei Lautsprecher an den Seiten in einer Linie mit dem Zentrum des Hörbereichs und einen mittig hinter den Zuhörern. Richten Sie dabei die Rahmen so aus, dass die Tiefmitteltöner zum Zentrum des Hörbereichs zeigen (Figure (Abb.) 5).

7.1-Kanal

Positionieren Sie zwei Lautsprecher an den Seiten in einer Linie mit dem Zentrum des Hörbereichs und zwei hinter den Zuhörern, die gegenüberliegend einen Winkel von ca. 40° bilden (Figure (Abb.) 6).

VORBEREITUNGEN FÜR DEN EINBAU

Kabelauswahl

Durch einen sehr hohen Widerstand des Lautsprecherkabels wird Energie verschwendet und der Frequenzgang verändert. Halten Sie den Widerstand stets möglichst gering. Der Schleifenwiderstand sollte in unkritischen Anwendungen möglichst unter 0,5 Ohm liegen und unter 0,2 Ohm, wenn Sie beste Ergebnisse erzielen möchten. Nutzen Sie die Tabelle in Figure (Abb.) 10, um den erforderlichen Mindestquerschnitt für das Kabel zu bestimmen.

Bestehende Wandkonstruktion aus Trockenbauplatten

Markieren Sie die Mittelposition des Lautsprechers und positionieren Sie die Schablone so, dass sich die Markierung im Loch in der Mitte befindet.

Zeichnen Sie eine Linie entlang der äußeren Kante der Schablone und bleiben Sie beim Ausschneiden genau auf der Linie.

Um die mechanische Festigkeit der Decke oder Wand zu verbessern und die Wahrscheinlichkeit des Mitschwingens zu reduzieren, empfehlen wir, entlang der Verbindungen zwischen der Hinterseite der Gipsbauplatte und den Balken in der Nähe des Lautsprechers Holzleim oder Mastix aufzutragen.

Ziehen Sie das Kabel durch die Öffnung. Geben Sie ausreichend Kabel, um den Lautsprecher problemlos anschließen zu können, aber nicht zu viel, da überschüssiges Kabel gegen die Konstruktion schwingen kann.

Neue Wandkonstruktion aus Trockenbauplatten

Sind Decke oder Wand fertiggestellt, so erfolgt der Einbau auf dieselbe Art und Weise wie bei einer bestehenden Wandkonstruktion. Die Positionierung und das Ausschneiden der Öffnung sind jedoch einfacher, wenn der optionale Vormontage-Rahmen (PMK) vor dem Anbringen der Gipsbauplatte eingesetzt wird.

Klammern oder nageln Sie das PMK an die Balken, wie es in der dem Kit beiliegenden Anleitung

beschrieben wird. Führen Sie das Kabel zum Befestigungspunkt am PMK und sichern Sie es dort. Geben Sie ausreichend Kabel, um den Lautsprecher problemlos anschließen zu können, aber nicht zu viel, da überschüssiges Kabel gegen die Konstruktion schwingen kann.

Die Ergebnisse werden davon beeinflusst, wie gut die Gipsbauplatte an den Balken befestigt ist. Sie können die Platten sowohl an die Balken in der Nähe des Lautsprechers kleben als auch schrauben oder an den Balken festnageln.

Ist die Platte angebracht, dient der Innenrand des PMKs als Orientierung beim Ausschneiden mit einer Säge.

Feste Wandkonstruktion

Um in puncto Tieftonleistung keinerlei Kompromisse einzugehen, benötigt der Lautsprecher eine Öffnung mit einem Volumen von mindestens 20 Litern. Dies bedeutet, dass die Öffnung bei einer 10 cm dicken Standardwand über die Grenze des Lautsprecherrahmens hinaus geht. Diese Öffnung kann einfach durch Nutzung eines Sturzes zur Verfügung gestellt werden, wobei das Loch mit einer Gipsbauplatte abgedeckt wird und der Lautsprecher, wie unter „Bestehende Wandkonstruktion aus Trockenbauplatten“ beschrieben, eingebaut wird (Figure (Abb.) 7).

Dämmen der Öffnung

Füllen Sie die Wandöffnung mit Matten aus Glasfaser oder Mineralwolle und lassen Sie Platz für den Lautsprecher selbst. Die Packungsdichte sollte so sein, dass das Material mit der Zeit nicht absackt. In einer offenen Wand füllen Sie einen Bereich von mindestens 30 cm über und unter dem Lautsprecher (Figure (Abb.) 8).

In der Decke drapieren Sie die Matten an der Rückseite der Deckenschalung, bedecken die Öffnung und führen die Matten weiter mindestens 30 cm um den Lautsprecher in den Hohlraum (Figure (Abb.) 9).

WICHTIG: Stellen Sie sicher, dass die von Ihnen eingesetzten Werkstoffe den örtlichen Gebäude- und Brandschutzverordnungen entsprechen.

Anbringen der Lautsprecher

Vergewissern Sie sich, dass alle Geräte vor dem Anschließen abgeschaltet sind.

Schließen Sie das Kabel an. Achten Sie dabei auf die korrekte Polarität.

Positionieren Sie den Lautsprecher (ohne Abdeckung) in der Öffnung und schrauben Sie die 4 von der Front aus sichtbaren Schrauben ein (siehe Hinweis unter „Prüfen des Inhalts“ am Anfang dieser Bedienungsanleitung). Durch Anziehen dieser Schrauben werden automatisch Schnellbefestigungen hinter die Montagefläche geschoben. Stellen Sie sicher, dass die Schnellbefestigungen exakt ausgerichtet sind, bevor Sie die Schrauben festziehen. Ein gewisses Maß an Biegung des Rahmens ist erlaubt, um Unebenheiten an der Montagefläche auszugleichen. Überdrehen Sie die Schrauben jedoch nicht, da sich der Lautsprecherahmen dadurch stark verziehen kann.

Ausrichten des Lautsprechers

Der Lautsprecher ist so konzipiert, dass er in Richtung Hörbereich zeigt, was in vielen Fällen auch zu einem erstklassigen Ergebnis führt. Bei einigen Surroundanwendungen lässt sich jedoch ein besseres Gesamtergebnis erzielen, wenn der Schall sich nicht in Richtung Hörbereich ausbreitet.

In der Regel ist dies der Fall, wenn:

- a. der Raum besonders schallhart ist und der Ton schrill wird.
 - b. der Hörbereich einen großen Teil des Raums einnimmt. Hier kann die Balance zwischen den Lautsprechern für alle Hörer verbessert werden, indem man den Anteil an reflektierten Schallwellen erhöht und den Anteil an Direktschall reduziert.
- b. bei Schäden, die auf einen nicht in der Bedienungsanleitung genannten Einsatzzweck, auf Fahrlässigkeit, Modifikationen oder die Verwendung von Teilen zurückzuführen sind, die nicht von B&W hergestellt bzw. zugelassen wurden,
 - c. bei Schäden durch defekte oder ungeeignete Zusatzgeräte,
 - d. bei Schäden durch Unfälle, Blitzschlag, Wasser, Feuer, Hitze, Krieg, öffentliche Unruhen oder sonstige Ereignisse, die nicht der Kontrolle von B&W und seinen Vertriebsgesellschaften unterliegen,
 - e. für Produkte, deren Seriennummern geändert, gelöscht, entfernt oder unleserlich gemacht wurden,
 - f. wenn Reparaturen oder Modifikationen von einem Nichtfachmann durchgeführt wurden.

Farbliche Abstimmung

Der Rahmen und die Abdeckung besitzen eine weiße Oberfläche (halbmatt). Sie sind lackierfähig und können farblich an die Umgebung angepasst werden.

Nehmen Sie die Abdeckung vor dem Lackieren vom Rahmen.

Lackieren Sie weder die Chassis noch den Schallwandbereich hinter der Abdeckung. Verwenden Sie die beiliegende Lackiermaske. Vermeiden Sie es, die Chassis zu berühren, da dies zu Beschädigungen führen kann.

Garantie

Dieses Produkt wurde nach den höchsten Qualitätsstandards entwickelt und hergestellt. Sollte dennoch der unwahrscheinliche Fall eintreten, dass Sie als Kunde Grund zur Reklamation haben, werden die B&W Group Ltd. und ihre nationalen Vertriebsgesellschaften das fehlerhafte Produkt ohne Berechnung der Arbeits- und Materialkosten (abgesehen von einigen Ausnahmen) in jedem Land, in dem eine offizielle B&W-Vertriebsgesellschaft vertreten ist, reparieren.

Die Garantiezeit beträgt fünf Jahre ab Kaufdatum bzw. zwei Jahre auf Aktivlautsprecher und elektronische Bauteile.

Garantiebedingungen

1. Die Garantie ist auf die Reparatur der Geräte beschränkt. Weder der Transport noch sonstige Kosten, noch das Risiko des Ausbaus, des Transports und der Installation der Produkte wird von dieser Garantie abgedeckt.
2. Diese Garantie gilt nur für den Originalbesitzer. Sie ist nicht übertragbar.
3. Diese Garantie ist nur dann gültig, wenn zum Zeitpunkt des Kaufs Fabrikations- und/oder Materialfehler vorliegen und nicht:
 - a. bei Schäden durch unfachmännische Installation, falsches Anschließen oder unsachgemäßes Verpacken,

4. Diese Garantie ergänzt die nationalen/regionalen gesetzlichen Verpflichtungen der Händler bzw. der nationalen Vertriebsgesellschaften und schränkt in keiner Weise die gesetzlichen Rechte, die Sie als Kunde haben, ein.

Inanspruchnahme von Garantieleistungen

Sollten Sie unseren Service in Anspruch nehmen müssen, gehen Sie bitte folgendermaßen vor:

1. Befindet sich das Gerät in dem Land, in dem Sie es gekauft haben, setzen Sie sich mit Ihrem autorisierten B&W-Fachhändler in Verbindung.
2. Befindet sich das Gerät außerhalb des Landes, in dem Sie es gekauft haben, wenden Sie sich bitte an die nationale B&W-Vertriebsgesellschaft des Landes, in dem Sie leben. Diese wird Ihnen Auskunft darüber geben, wo Sie das Gerät reparieren lassen können. Die Adresse der für das jeweilige Land zuständigen Vertriebsgesellschaft erhalten Sie bei B&W in Großbritannien oder über unsere Website.

Garantieleistungen werden nur nach Vorlage des Garantie-Booklets (vollständig ausgefüllt und mit dem Händlerstempel und dem Kaufdatum versehen) erbracht. Alternativ können Sie die Originalrechnung oder einen anderen, mit Kaufdatum versehenen Beleg einreichen, der Sie als Eigentümer des Gerätes ausweist.

Español

Manual de instrucciones

Estimado cliente:

Gracias por adquirir las cajas acústicas CCM818 de Bowers and Wilkins.

Desde su creación en 1966, la filosofía de B&W no ha sido sino la búsqueda continua de la perfecta reproducción sonora. Inspirada por el fundador de la compañía, el ya desaparecido John Bowers, esta búsqueda ha supuesto no sólo una elevada inversión en tecnología e innovación aplicadas al mundo del audio sino también una permanente apreciación de todo tipo de grabaciones musicales y audiovisuales con el fin de garantizar que los recursos utilizados se exploten al máximo.

La CCM818 es una caja acústica de calidad audiófila diseñada originariamente para ser empotrada en techo y formar parte de instalaciones de audio estereofónico y Cine en Casa. Su panel frontal inclinado permite dirigir más directamente el eje de escucha óptimo hacia el área de escucha, mejorando la calidad e imagen sonoras en una magnitud que las cajas acústicas para empotrar en techo normales no pueden ofrecer. También puede utilizarse como caja acústica de efectos empotrable.

Sin embargo, las CCM818 no rendirán -independientemente de su calidad intrínseca- al cien por cien de sus posibilidades a menos que sean instaladas adecuadamente. En consecuencia, le rogamos que lea atentamente la totalidad del presente manual ya que ello le ayudará a optimizar las prestaciones del sistema.

B&W distribuye sus productos en más de 60 países repartidos en todo el mundo y mantiene una red de importadores altamente motivados que podrán ayudarle en el caso de que se produzca algún problema que no pueda resuelto por su distribuidor especializado.

Información Relativa al Medio Ambiente



Los productos B&W han sido diseñados para satisfacer la normativa internacional relativa a la Restricción del Uso de

Sustancias Peligrosas (RoHS) en equipos eléctricos y electrónicos y la eliminación de Desperdicios Referentes a Equipos Eléctricos y Electrónicos (WEEE). El símbolo del cubo de la basura tachado indica el pleno cumplimiento de estas directrices y que los productos correspondientes deben ser reciclados o procesados adecuadamente en concordancia con las mismas. Para recibir orientación sobre cómo deshacerse de este producto de la manera apropiada, consulte con su organización de recogida de desperdicios local.

Verifique el contenido

El embalaje debería contener lo siguiente:

- 1 panel frontal (baffle) con sus correspondientes altavoces y filtro
- 1 rejilla protectora
- 1 máscara para pintura
- 1 plantilla para alineamiento

Elección de la posición

Compruebe que no se produzcan conflictos con otras instalaciones (regatas, conductos del aire acondicionado, cables de alimentación...). En construcciones de pladur ya existentes, utilice un buscador de tacos para confeccionar un mapa preciso de las mismas y un detector de tubos para explorar la posición de instalación propuesta.

Consulte la sección en la que figura el dibujo de la caja acústica y asegúrese de que haya el suficiente espacio libre detrás de la placa de yeso para que los dispositivos de fijación puedan colocarse sin restricciones.

Evite instalar las cajas acústicas en cavidades que alberguen conductos endeblés susceptibles de vibrar a niveles de presión sonora elevados.

Las cajas acústicas han sido diseñadas para funcionar satisfactoriamente en cavidades de volúmenes muy variados aunque idealmente superiores a 20 litros, por lo que debería asegurarse de que el volumen disponible no esté excesivamente limitado por la presencia de tacos y refuerzos cruzados.

En el caso de que el montaje se vaya a efectuar en una pared/techo de albañilería, deberá estar preparado para construir en la ubicación elegida una cavidad que se extienda más allá de los límites de la carcasa de la caja acústica ya que en caso contrario la respuesta en graves quedará seriamente comprometida.

Las cajas acústicas han sido equilibradas para ser montadas en el centro de cualquier techo. La colocación cerca de una intersección pared/techo o en una esquina puede provocar un aumento excesivo del nivel de graves y el correspondiente emborronamiento del sonido. Por este motivo, le recomendamos que intente mantener las cajas acústicas a una distancia mínima de 0'5 metros con respecto a los límites de cualquier pared o techo.

Las secciones que siguen pretenden servirle de guía para colocar de manera óptima sus cajas acústicas, aunque es posible que las orientaciones que allí se dan tengan que ser modificadas para satisfacer determinados imperativos domésticos.

Campos magnéticos parásitos

Las cajas acústicas generan un campo magnético estático que se extiende más allá de las fronteras de su recinto. En consecuencia, le recomendamos que mantenga los objetos magnéticamente sensibles (por ejemplo los televisores y monitores de ordenador equipados con tubos de rayos catódicos, las cintas de audio y de vídeo, las tarjetas de crédito y cosas por el estilo) alejados un mínimo de 0'5 metros de la caja

acústica. Las pantallas de plasma y LCD no son afectadas por los campos magnéticos.

Cajas acústicas frontales en aplicaciones de audio estéreo o Cine en Casa

La CCM818 es idónea cuando se necesita montar las cajas acústicas en el techo de la manera más liviana posible. Para aplicaciones de audio multicanal y Cine en Casa, las deberían estar aproximadamente a 0'5 metros del plano de la pantalla de visualización, mientras que en un equipo estereofónico deberían situarse a esa misma distancia con respecto de la pared frontal. Por su parte, la carcasa debería girarse de tal modo que los altavoces de medios/graves estén orientados hacia el área de escucha. (figura 1)

En las configuraciones de 2 canales, las cajas acústicas deberían formar un ángulo de valor comprendido entre 40° y 60° en el centro de la posición de escucha. (figura 2)

Para aplicaciones de audio multicanal y Cine en Casa, las cajas acústicas izquierda y derecha deberían estar aproximadamente a 0'5 metros de los lados de la pantalla de visualización. (figura 3)

Cajas acústicas de efectos

Por regla general, las cajas acústicas deberían colocarse en el techo con la carcasa girada de tal forma que los altavoces de medios/graves estén orientados hacia el centro del área de escucha.

5.1 canales

En este caso, el ángulo horizontal con respecto al centro de la posición de escucha debería ser de unos 120° desde el centro de la pantalla de visualización.

Para este tipo de aplicación, las cajas acústicas también se podrían colocar sin problemas en la pared lateral. Deberían situarse al menos a 60 centímetros por encima de la altura del oído y con las carcasas giradas para que los altavoces estén orientados hacia el centro del área de escucha. (figura 4)

6.1 canales

Coloque las dos cajas acústicas de efectos estándar en las paredes laterales de la sala alineadas con el centro del área de escucha y la caja de efectos posteriores (es decir el canal "6") en el centro de la zona situada justo detrás de los oyentes, con las carcasas giradas para que los altavoces de medios/graves estén orientados hacia el centro del área de escucha. (figura 5)

7.1 canales

Coloque las dos cajas acústicas de efectos estándar en las paredes laterales de la sala alineadas con el centro del área de escucha y las dos cajas de efectos posteriores (es decir los canales "6" y "7") detrás de los oyentes formando un ángulo de aproximadamente 40° con respecto a los mismos. (figura 6)

PREPARANDO LA COLOCACIÓN

Elección del cable

El exceso de resistencia en el cable de conexión hace que se desperdicie energía y se altere la curva de

respuesta en frecuencia de las cajas acústicas. Intente siempre que la citada resistencia sea lo más baja posible, con un valor en bucle cerrado preferiblemente inferior a 0'5 ohmios. Utilice la tabla de la figura 10 para calcular el grosor mínimo del cable requerido para cada aplicación.

Construcción de pladur ya existente

Marque la posición central de la caja acústica y coloque la plantilla de tal modo que la marca muestre el orificio central de la misma.

Siga el contorno exterior de la plantilla y corte limpiamente el interior de la línea trazada.

Con el fin de mejorar la integridad mecánica de la pared o techo y reducir la posibilidad de que se produzcan vibraciones molestas, le recomendamos que aplique un poco de masilla o una pequeña capa de adhesivo para madera a lo largo de las juntas entre la parte posterior de la placa de pladur y los tacos de fijación situados cerca de la caja acústica.

Coloque el cable hasta la apertura disponiendo de la longitud suficiente –aunque no excesiva, ya que en ese caso el cable podría vibrar y golpear la estructura– para conectar confortablemente la caja acústica.

Construcción de pladur nueva

Una vez que la construcción de la pared o techo ha sido completada, la caja acústica puede instalarse directamente en la zona posterior de la misma, aunque si se va a utilizar el kit opcional de pre-montaje es más fácil colocarla sobre dicha pared o techo y cortar la pertinente apertura antes de aplicar la capa de yeso.

Grape o clave el PMK a los tacos de fijación tal y como se describe en las instrucciones que lo acompañan. Coloque el cable y asegúrelo al punto de fijación del PMK. Disponga la longitud suficiente –aunque no excesiva, ya que en ese caso el cable podría vibrar y golpear la estructura– para conectar confortablemente la caja acústica.

Los resultados finales dependerán de la calidad de la unión entre la placa de pladur y los tacos de fijación, por lo que le recomendamos que coloque una capa de adhesivo y a la vez tornillos o clavos para sujetar paneles a los tacos de fijación en las cercanías de caja acústica.

Una vez colocada la placa de pladur, la pestaña interna del PMK le servirá de guía para la sierra o la herramienta que utilice para efectuar el orificio de instalación.

Construcción en pared sólida (albañilería)

Para no comprometer la respuesta en graves, la caja acústica necesita disponer de una cavidad cuyo volumen no sea inferior a 20 litros. Esto significa que si se utiliza una pared de grosor estándar (10 centímetros) dicha cavidad se extenderá más allá de los límites de la carcasa de la caja acústica. Para disponer de esta cavidad bastará con utilizar un dintel, cubrir el orificio con yeso y colocar la caja acústica tal y como se describe en la figura 7.

Amortiguamiento (acondicionamiento acústico) de la cavidad

Rellene la cavidad de la pared –dejando espacio para la caja acústica propiamente dicha– con bloques de fibra de vidrio lana de roca. La densidad del relleno utilizado debería ser suficiente para prevenir confortablemente que se caiga o ceda con el paso del tiempo. En una cavidad abierta, rellene hasta una distancia de por lo menos 30 centímetros por encima y por debajo de la caja acústica. (figura 7)

Para montajes en techo, coloque la placa material absorbente en la parte posterior de aquél, cubriendo la apertura y extendiendo dicha placa hasta un mínimo de 30 centímetros alrededor de la zona vacía que rodea la caja acústica. (figura 9)

IMPORTANTE: Asegúrese de que los materiales que utilice satisfagan las normas locales en materia de seguridad y protección contra incendios.

Colocación de la caja acústica

Todas las conexiones deberían realizarse con el equipo desconectado.

Conecte el cable observando siempre que se respete la polaridad correcta.

Con la rejilla protectora y el panel frontal de la caja acústica fuera, coloque la carcasa de esta última en la apertura y fije los 10 tornillos que se ven en su parte frontal (consulte la nota al respecto que figura en la sección referente al contenido). Estos tornillos giran automáticamente unas pinzas de sujeción situadas detrás de la superficie de montaje. Asegúrese de que dichas pinzas estén adecuadamente posicionadas antes de fijar definitivamente los tornillos. La carcasa admite un cierto flexado con el fin de compensar posibles desniveles de la superficie de montaje aunque la recomendamos que no fuerce en exceso los tornillos de fijación ya se podría producir una deformación excesiva de la carcasa de la caja acústica susceptible de dificultar la colocación de la rejilla protectora.

Ajuste de la caja acústica

La caja acústica está diseñada para que apunte hacia el área de escucha, posición que en la mayoría de casos proporciona los mejores resultados posibles. No obstante, es posible que para algunas aplicaciones de sonido envolvente los mejores resultados globales se obtengan sin el sonido es dirigido hacia fuera del área de escucha.

Por regla general, lo anterior suele ser válido si:

- La sala es particularmente "viva" y el sonido se vuelve áspero/agresivo.
- El área de escucha ocupa una parte importante de la sala. Es posible que aumentando la cantidad de sonido reflejado y disminuyendo la de sonido directo se obtenga un balance promedio entre cajas superior para todos los oyentes.

Personalización

La carcasa de montaje está terminada en un color blanco semi-mate que, en caso de que así se desee,

puede ser pintado a voluntad para que haga juego con cualquier decoración.

Antes de volver a completar el conjunto, retire la rejilla protectora y pinte de nuevo la citada carcasa.

No pinte de nuevo ni los altavoces ni el área del panel frontal situada detrás de la rejilla protectora. Evite tocar los altavoces ya que podrían producirse daños en los mismos.

Garantía limitada

Este producto ha sido diseñado y fabricado de acuerdo con las más altas normas de calidad. No obstante, si hallara algún desperfecto B&W Group Ltd. y sus distribuidores nacionales garantizan, sin coste alguno para usted, la mano de obra (es posible que haya excepciones) y la reposición de piezas en cualquier país donde se cuente con un distribuidor autorizado de B&W.

Esta garantía limitada es válida por un período de cinco años desde la fecha de compra y de dos años para las partes electrónicas, incluyendo sistemas de altavoces amplificados.

Términos y condiciones

- Esta garantía está limitada a la reparación del equipo. La garantía no cubre ni el transporte, ni otros costes, ni ningún riesgo por traslado, transporte e instalación de los productos.
- La garantía será aplicable exclusivamente para el propietario original. No es transferible.
- Esta garantía tendrá validez solamente si se trata de materiales defectuosos y/o de fabricación existentes en el momento de la compra, y no será válida en los siguientes casos:
 - daños causados por instalación, conexión o embalaje inapropiados,
 - daños causados por uso inapropiado que no se corresponda con el uso correcto tal como se describe en el manual del usuario, negligencia, modificaciones o la utilización de piezas no originales de fábrica o no autorizadas por B&W,
 - daños causados por equipos auxiliares defectuosos o inapropiados,
 - daños causados por accidentes, relámpagos, agua, incendios, calor, guerra, disturbios sociales u otra causa ajena al control razonable de B&W y de sus distribuidores autorizados,
 - productos cuyo número de serie haya sido modificado, borrado, retirado o convertido en ilegible,
 - si una persona no autorizada ha efectuado alguna reparación o modificación en el producto.
- Esta garantía complementa cualquier obligación legal a nivel nacional/regional de concesionarios o distribuidores nacionales y, como cliente, no afecta a sus derechos estatutarios.

Cómo solicitar reparaciones bajo garantía

En caso de ser necesaria alguna revisión, siga el siguiente procedimiento:

- 1 Si está usando el equipo en el país en que fue adquirido, debería contactar con el concesionario autorizado de B&W en donde lo adquirió.
- 2 Si el equipo está siendo utilizado fuera del país en que fue adquirido, debería contactar con el distribuidor nacional de B&W correspondiente al país donde reside, que le asesorará sobre el lugar al que enviarlo para que pueda ser revisado. Para obtener información sobre cómo contactar con su distribuidor local, puede llamar a B&W en el Reino Unido o visitar nuestro sitio web.

Para validar su garantía, deberá mostrar el folleto de garantía debidamente cumplimentado y con la fecha de compra estampada por su concesionario. De lo contrario, tendrá que mostrar la factura de venta original u otro comprobante que demuestre su propiedad y la autenticidad de su fecha de compra.

Português

Manual do utilizador

Estimado Cliente,

Obrigado por ter adquirido as colunas Bowers & Wilkins CCM818.

Desde a sua fundação em 1966, que a filosofia da B&W tem sido a continua busca pela perfeita reprodução sonora. Inspirada pelo fundador da companhia, o já falecido John Bowers, esta tarefa tem acarretado não apenas um forte investimento em tecnologia audio e inovação mas igualmente numa permanente apreciação de música e filmes de molde a garantir que essa mesma tecnologia é aplicada com o máximo de eficiência.

A CCM818 é uma coluna de qualidade audiofila, desenhada primariamente para montagem no tecto em instalações de dois canais e cinema em casa. O seu frontal em ângulo permite que o eixo optimo seja direccionado mais para o ponto de audição, o que melhora a qualidade e a imagem de uma forma que normalmente as colunas de tecto não conseguem oferecer. Tem igualmente aplicações como coluna de surround de embutir.

No entanto, independentemente do valor individual das colunas, estas não libertarão todo o seu potencial a não ser que sejam correctamente instaladas. Por favor leia este manual atentamente. Pois será uma preciosa ajuda para otimizar a performance do seu sistema.

A B&W é distribuída em mais de 60 países no mundo inteiro e mantém uma rede de distribuidores dedicados que serão capazes de o ajudar no caso de surgirem problemas que o lojista não consiga resolver.

Informação Ambiental



Todos os produtos B&W são desenhados de molde a cumprir com as directivas internacionais de Restrição de Substâncias Perigosas (RoHS) em material eléctrico e electrónico e o desperdício de Lixo de Equipamento Eléctrico Electrónico (WEEE). Estes símbolos indicam o cumprimento e que os produtos devem ser correctamente reciclados ou processados de acordo com estas directivas. Consulte a organização local de recolha de desperdícios para uma orientação sobre a forma correcta de se desfazer deste equipamento.

Verificação de conteúdo

Esta caixa deverá conter:

- 1x Frontais com unidades e crossover
- 1x Grelhas
- 1x Mascaras de pintura
- 1x Réguas de alinhamento

Escolhendo a posição

Verifique que não existe conflito com outras instalações embutidas (canos, ar condicionado, cabos de corrente eléctrica etc.) Em construções de paredes falsas ou de pladur, use uma ferramenta de detecção

de prumos para efectuar um mapa da construção com precisão e um detector de tubos para efectuar o varrimento da zona da instalação.

Consulte a secção de desenho da coluna de molde a assegurar que existe espaço suficiente por detrás da placa de estuque para que os grampos rodem totalmente para fora.

Evite a instalação das colunas na mesma cavidade de tubos com pouca consistência porque podem ser induzidos a vibrar.

As colunas foram desenhadas para operar satisfatoriamente numa gama alargada de volumes de cavidade, idealmente acima de 20 litros (0.7 cu ft), consequentemente certifique-se que a cavidade não está excessivamente restringida por pilares de travamento.

Na construção de paredes/tectos sólidos, esteja preparado para proporcionar uma cavidade na parede/tecto que estenda bem para fora da área da moldura das colunas, de outra forma a performance de graves ficará comprometida.

As colunas estão equilibradas para uma montagem a meio da parede. A sua colocação perto da junção tecto/parede ou num canto pode dar origem a um excesso de graves e uma qualidade ribombante ao som. Tente manter as colunas a pelo menos a 0.5m (20in) dos cantos entre parede e tecto.

As secções seguintes servem de guia para um optimo posicionamento, mas este poderá ser alterado em função dos constrangimentos domésticos.

Campos Magnéticos

As unidades das colunas criam campos magnéticos que se estendem para além dos limites exteriores da caixa. Recomendamos que mantenha artigos sensíveis a estes campos (televisores CRT e monitores de computador, discos rígidos, cassetes de audio e vídeo, cartões informáticos e semelhantes) a pelo menos 0,5m da coluna. LCD e ecrãs de plasma não são afectados por campos magnéticos.

Colunas frontais para audio ou cinema em casa

A CCM 818 é ideal para uma utilização em que é requerida uma montagem em tecto para que a colocação seja o menos obstrusiva possível. Para cinema em casa, deverão ser montadas a cerca de 0.5m (20 in) a partir do plano do écran ou da parede frontal no caso de uma instalação exclusiva de audio. A moldura deverá ser virada de forma a que as unidades de médios/graves sejam direccionadas para a área de audição. (figura 1)

Para aplicações de audio de dois canais, as colunas devem formar um ângulo entre 40° e 60° com o centro da área de audição. (figura 2)

Para aplicações de cinema em casa as colunas esquerda e direita devem estar aproximadamente a 0.5m (20 in) dos bordos laterais do écran. (figura 3)

Colunas de surround

As colunas devem normalmente ser posicionadas no tecto com a moldura inclinada de forma a que as unidades de médios/graves sejam direccionadas para o centro da área de audição.

Sistema 5.1

O ângulo horizontal ao centro da posição de audição deverá ser aproximadamente de 120° em redor e a partir do centro do écran.

As colunas poderão igualmente ser posicionadas nas paredes laterais para esta aplicação. Deverão ser colocadas a pelo menos 60cm (2 ft) a cima da altura dos ouvidos e com as molduras inclinadas de molde a que as unidades de médios/graves sejam direccionadas para o centro da área de audição. (figure 4)

Sistema 6.1

Coloque duas colunas lateralmente em linha com o centro da área de audição e uma centralmente por detrás dos ouvintes, com as molduras inclinadas de molde a que as unidades de médios/graves sejam direccionadas para o centro da área de audição. (figure 5)

Sistema 7.1

Coloque duas colunas lateralmente em linha com o centro da área de audição e duas por detrás dos ouvintes, num ângulo entre estas e o eixo de audição de cerca de 40°. (figura 6)

PREPARANDO A LOCALIZAÇÃO

Escolhendo o cabo

Excessiva resistência no cabo de colunas desperdiça potência e altera a resposta de frequência da coluna. Tente pois manter a resistência tão baixa quanto possível preferencialmente em valores inferiores a 0,5 ohms numa aplicação não crítica e abaixo dos 0,2 ohms para a obtenção dos melhores resultados. Use a tabela da figura 10 para calcular a secção mínima de cabo necessária.

Paredes de estuque ou Pladur (falsas)

Marque a posição central da coluna e coloque a régua de alinhamento de forma a que a marca apareça através do buraco no meio.

Trace à volta do rebordo exterior da régua e corte precisamente no interior da linha.

Para melhorar a integridade mecânica da parede ou tecto e reduzir a probabilidade de vibrações, recomendamos que aplique um pouco de cola de Madeira ao longo das juntas entre a traseira da parede de pladur e os pilares de travamento nas proximidades das colunas.

Passe o cabo pela abertura, permitindo que o comprimento seja suficiente para ligar a coluna sem problemas, mas não em excesso já isto poderá provocar vibrações contra a estrutura.

Construção de parede de Pladur

A coluna pode ser instalada uma vez o tecto ou a parede terminada encastrando normalmente, mas é mais fácil posicionar e cortar o buraco se o kit opcional de pré montagem for utilizado antes do acabamento final.

Agrafe ou pregue o PMK aos pilares como descrito nas instruções fornecidas com o mesmo. Passe o cabo e segure-o no ponto de fixação no PMK. Permita um comprimento suficiente para ligar confortavelmente a coluna, mas não em excesso para não provocar vibrações contra a estrutura.

Os resultados são afectados pela forma como o pladur é fixado aos pilares de travamento e nós recomendamos para além do aparafusamento a colagem dos painéis aos pilares nas proximidades da coluna.

Uma vez a placa aplicada, o rebordo interno do PMK serve como guia para o buraco a ser aberto.

Construção em parede sólida

Para que a performance de graves não fique comprometida, a coluna requer um volume de cavidade de pelo menos 20 litros (0.7 cu ft). Isto significa, numa parede standard de 10cm (4 in) de espessura, que a cavidade se estenderá para além dos limites da moldura da coluna. É possível providenciar esta cavidade simplesmente através da utilização de um lintel, cobrindo o buraco com pladur e colocando a coluna como descrito acima para colocação em parede falsa. (figura 7)

Amortecendo a cavidade

Encha a cavidade deixando espaço para a coluna e para a fibra de vidro ou placas de lâ mineral. A compactação do material deverá ser suficiente de molde a evitar que o mesmo descaia ou se desprenda com o tempo. Numa cavidade aberta, encha até uma distância de pelo menos 30cm (1 ft) acima e abaixo da coluna. (figura 8)

No tecto, cubra as partes metálicas na traseira da placa, tapando a abertura e estendendo pelo menos 30cm (1 ft) em redor da coluna no espaço vazio. (figura 9)

IMPORTANTE: Assegure-se que o material utilizado obedece às normas de segurança contra incêndios.

Colocando a coluna

Todas as ligações deverão ser feitas com o equipamento desligado.

Ligue o cabo, verificando a correcta polaridade.

Com a grelha retirada, posicione a coluna na abertura e aperte os 4 parafusos visíveis pela frente (veja a nota acima na secção de conteúdo). Estes parafusos automaticamente fazem girar para fora os grampos localizados por detrás da superfície de montagem. Assegure-se que estes estão correctamente posicionados antes de apertar totalmente. É permitida uma certa flexibilidade à moldura para que se adapte a alguma irregularidade da superfície de montagem,

mas não exagere no aperto dos parafusos pois pode provocar o empeno excessivo da moldura.

Ajustando a coluna

A coluna foi desenhada para apontar para a área de audição e para a maior parte das situações isto permite os melhores resultados. No entanto, para algumas aplicações de surround, os melhores resultados globais poderão ser obtidos se o som for dirigido para fora da área de audição.

Tipicamente isto pode ser aplicável se:

- a. A sala é particularmente viva e o som se torna agressivo.
- b. A área de audição constitui uma grande porção da sala. Aumentando a quantidade de som reflectido e reduzindo a quantidade de som directo pode proporcionar um maior equilíbrio entre as colunas para todos os ouvintes.

Acabamento

A moldura tem um acabamento branco semi-mate pintável, pronta se necessário para levar o acabamento que combine com o seu decor.

Antes de pintar a grelha, retire-a da moldura.

Não dê acabamento às unidades ou à área do frontal por detrás da grelha. Utilize a mascara de pintura fornecida. Evite tocar nas unidades pois pode danificá-las.

Garantia limitada

Este produto foi concebido e fabricado de acordo com os mais elevados padrões de qualidade. No entanto, se houver qualquer problema com o mesmo, a B&W e os seus distribuidores internacionais garantem o serviço de mão-de-obra (podendo-se aplicar exclusões) e de substituição de peças gratuitos em qualquer país servido por um distribuidor oficial de B&W.

Esta garantia limitada é válida por um período de cinco anos a partir da data de compra ou dois anos pela parte electrónica incluindo altifalantes amplificadas.

Termos e condições

- 1 Esta garantia limita-se à reparação do equipamento. Nem transporte, nem quaisquer outros custos, nem qualquer risco de remoção, transporte e instalação de produtos estão cobertos por esta garantia.
- 2 A garantia só é válida para o proprietário original. Não é transferível.
- 3 Esta garantia não será aplicável nos casos em que os defeitos não sejam atribuíveis a materiais e/ou mão-de-obra na altura da compra e não será aplicável a:
 - a. danos causados pela instalação, ligação ou embalagem incorrectos,

- b. danos causados por qualquer utilização que não seja a correcta conforme descritta no manual do utilizador, negligência, modificações ou utilização de peças que não sejam fabricadas ou autorizadas pela B&W,
 - c. danos causados por equipamento auxiliar inadeguado ou defeituoso,
 - d. danos causados por acidentes, relâmpagos, água, incêndio, calor, guerra, distúrbios públicos ou qualquer outra causa para além do controlo razoável da B&W e dos seus distribuidores nomeados,
 - e. produtos cujo número de série tenha sido alterado, apagado, removido ou que tenha sido tornado ilegível,
 - f. reparações ou modificações que tenham sido efectuadas por pessoa não autorizada.
- 4 Esta garantia complementa quaisquer obrigações legais nacionais e regionais de revendedores ou distribuidores nacionais e não afecta os seus direitos estatutários como cliente.

Como reivindicar reparações sob garantia

Caso seja necessário assistência técnica, queira seguir o procedimento seguinte:

- 1 Se o equipamento está a ser utilizado no país de compra, deverá contactar o distribuidor autorizado da B&W de onde o equipamento foi comprado.
- 2 Se o equipamento está a ser utilizado fora do país de compra, deverá contactar o distribuidor nacional da B&W do país de residência que o aconselhará onde o equipamento pode ser reparado. Pode telefonar para a B&W no Reino Unido ou visitar a nossa página na internet para obter os pormenores de contacto do seu distribuidor local.

Para validar a sua garantia, precisará de preencher a mesma devendo esta ser carimbada pelo seu distribuidor na data da compra. Em alternativa, precisará da factura original de venda ou outra prova de propriedade e data de compra.

Italiano

Manuale di istruzioni

Egregio cliente.

Grazie per avere acquistato i diffusori CCM818 Bowers & Wilkins.

Dalla sua fondazione nel 1966, la linea guida di B&W è stata quella di ricercare sempre la perfetta riproduzione del suono. Questa filosofia, ispirata dal suo fondatore John Bowers, non comporta solo elevati investimenti in termini tecnologici e di sviluppo, ma anche una costante ricerca sugli effetti della tecnologia stessa nella riproduzione di musica e film.

Il CCM818 è un diffusore da incasso realizzato per essere installato a soffitto, in sistemi 2 canali o home theatre. Gli altoparlanti orientabili permettono di ottimizzare l'ascolto direzionandoli verso la posizione di ascolto; questo migliora la qualità del suono e l'immagine sonora, cosa che gli altri diffusori da soffitto non fanno. Possono anche essere utilizzati come diffusori surround da incasso.

Comunque, indipendentemente dalla qualità dei diffusori stessi, non si potranno raggiungere le migliori prestazioni se non si effettua una corretta installazione. Vi preghiamo di leggere attentamente il manuale, vi aiuterà ad ottimizzare le prestazioni del sistema.

B&W è presente in 60 paesi in tutto il mondo, ed i suoi distributori nazionali saranno in grado di aiutarvi nel caso in cui doveste avere un problema che il vostro rivenditore non riesce a risolvere.

Informazioni per l'ambiente



Tutti i prodotti B&W sono realizzati in conformità con le normative internazionali: Restriction of Hazardous Substances (RoHS) per apparecchi elettronici ed elettrici, ed alle norme Waste Electrical and Electronic Equipment (WEEE). Questi simboli indicano la compatibilità con queste norme, e che il prodotto deve essere riciclato o smaltito in ottemperanza a queste direttive. Consultate l'autorità competente locale per maggiori dettagli sulle modalità di smaltimento.

Controllate il contenuto

L'imballo dovrebbe contenere:

- 1x Pannello con altoparlanti e crossover
- 1x Griglia
- 1x Maschera verniciabile
- 1x Dima di montaggio

Posizionamento

Verificate che non vi siano interferenze con altre installazioni (tubature, aria condizionata, cavi di alimentazione). In costruzioni preesistenti utilizzate uno strumento per rilevare accuratamente la struttura e un rivelatore di tubature per sondare la posizione di installazione proposta.

Tenendo conto delle dimensioni dei diffusori assicuratevi che ci sia spazio sufficiente dietro al telaio

del diffusore per il libero movimento dei dispositivi di fissaggio.

Evitate di installare i diffusori in un incavo della parete quale un condotto molto stretto che potrebbe provocare vibrazioni.

I diffusori sono progettati per operare in modo soddisfacente in una vasta gamma di spazi, idealmente in volumi maggiore di 20L, perciò assicuratevi che il volume non sia troppo basso.

In caso di installazione in muri/soffitti pieni, predisponete una cavità nel muro/soffitto più grossa del diffusore, altrimenti le prestazioni dei bassi potrebbero essere compromesse.

I diffusori sono bilanciati per un montaggio a mezza altezza (es.: a livello sul soffitto). Il posizionamento vicino ad una giunzione parete/soffitto o in un angolo è da evitarsi in quanto potrebbe dare origine a un qualità sonora troppo bassa e rimbombante. Se possibile mantenete i diffusori a più di 0.5m dai bordi del muro/soffitto.

La sezione seguente contiene indicazioni per il posizionamento ottimale, che comunque possono essere adeguate alle caratteristiche del vostro ambiente.

Campi magnetici dispersi

Le unità altoparlanti creano campi magnetici dispersi che si estendono al di là del cabinet. Vi raccomandiamo di tenere lontani i prodotti sensibili ai campi magnetici (televisori CRT, schermi per computer, dischi per computer, tessere magnetiche, nastri audio e video e simili), almeno a 0,5 m dal diffusore. Schermi LCD e plasma non subiscono nessuna influenza dai campi magnetici.

Diffusori frontali per applicazioni audio o home theatre

Il CCM818 è ideale per impieghi in cui si richiede il montaggio a soffitto. Per applicazioni home theatre dovrebbero essere posizionati a circa 0.5m dal piano dello schermo o dal muro frontale in caso di sistema solo audio. Il pannello dovrebbe essere orientato in modo che gli altoparlanti del medio/basso siano diretti verso la posizione di ascolto. (figura 1)

Per sistemi 2-canali, i diffusori dovrebbero essere orientati tra 40° e 60° verso il centro della posizione di ascolto. (figura 2)

Per sistemi home theatre, i diffusori destro e sinistro dovrebbero essere a circa 0.5m dal bordo dello schermo. (figura 3)

Diffusori surround

I diffusori dovrebbero essere posizionati a soffitto con il pannello orientato in modo che gli altoparlanti del medio/basso siano diretti verso il centro della posizione di ascolto.

5.1 canali

L'angolo di orientamento orizzontale verso il centro della posizione di ascolto, dovrebbe essere compreso tra circa 120° dal centro dello schermo.

I diffusori possono anche essere installati sui muri laterali, posizionati ad almeno 60cm sopra l'altezza dell'orecchio e con il pannello orientato in modo che gli altoparlanti del medio/basso siano diretti verso il centro della posizione di ascolto. (figura 4)

6.1 canali

Posizionate i due diffusori laterali in linea con il centro della posizione di ascolto, ed uno al centro dietro gli ascoltatori, con il pannello orientato in modo che gli altoparlanti del medio/basso siano diretti verso il centro della posizione di ascolto. (figura 5)

7.1 canali

Posizionate i due diffusori laterali in linea con il centro della posizione di ascolto, e due dietro gli ascoltatori, con una angolazione di circa 40°. (figura 6)

PREPARAZIONE DELL'INSTALLAZIONE

Scelta dei cavi

Un cavo di collegamento dei diffusori con una resistenza eccessiva potrebbe causare una dispersione di potenza ed alterare la risposta in frequenza dei diffusori. Cercate sempre di mantenere la resistenza più bassa possibile, con una resistenza di loop entro 0.5ohms in normali sistemi, e per ottenere i migliori risultati, entro 0.2ohms. Utilizzate la tabella della figura 10 per calcolare il tipo di cavo necessario.

Pareti in cartongesso esistenti

Segnate sul muro il punto corrispondente alla posizione desiderata del diffusore; posizionate la dima centrando il punto sul muro attraverso il foro al centro della dima.

Tracciate una linea seguendo i contorni esterni della dima e praticate una apertura all'interno della linea disegnata.

Per diminuire la possibilità di vibrazioni, vi consigliamo di applicare della colla tra il telaio del diffusore ed il telaio del muro.

Fate passare i cavi di connessione attraverso l'apertura, considerando di lasciarli ad una lunghezza tale da potere collegare i diffusori, ma non troppo lunghi da potere vibrare o interferire con la struttura.

Pareti in cartongesso nuove

Il diffusore può essere installato dopo che il muro è stato completato come indicato sopra, ma è più facile praticare l'apertura nel pannello se il kit di pre-montaggio opzionale viene utilizzato prima di installare il pannello.

Fissate il PMK al telaio del muro con chiodi o altro come descritto nelle istruzioni nel kit. Posizionate i cavi ed assicuratevi al PMK, lasciandoli abbastanza lunghi da potere collegare i diffusori, ma non troppo lunghi da potere vibrare o interferire con la struttura.

La non corretta installazione del diffusore nell'intercapedine può influire sulla resa finale: vi raccomandiamo pertanto di rinforzare con colla o chiodi il fissaggio dei pannelli vicino al diffusore.

Una volta posizionato il PMK, la flangia interna dello stesso può essere utilizzato come guida per il seghetto.

Muri pieni

Per non compromettere le prestazioni alle basse frequenze, il diffusore necessita di una cavità di volume pari ad almeno 20L: in un muro standard dello spessore di 10cm, la cavità dovrà essere allargata al di fuori dei bordi del diffusore. E' possibile realizzare una cavità più larga del diffusore e coprire il buco con del cartongesso, fissando ad esso il diffusore come descritto in precedenza. (figura 7)

Riempimento dell'intercapedine

Colmate la cavità del muro, lasciando lo spazio necessario per il diffusore, con fibra di vetro o lana di roccia, che consente anche di prevenire la possibilità che del materiale possa cadere all'interno del diffusore. In una intercapedine, riempite la zona circostante il diffusore fino ad almeno 30cm. (figura 8)

Nel soffitto, inserite l'isolante dietro al diffusore e riempite la zona circostante il diffusore fino ad almeno 30cm. (figura 9)

IMPORTANTE: Assicuratevi di utilizzare materiali conformi alle norme antincendio e di sicurezza in vigore nel vostro paese.

Fissaggio del diffusore

Tutti i collegamenti dovrebbero essere effettuati con gli apparecchi spenti.

Collegate i cavi osservando le polarità.

Posizionate il pannello nella cavità, senza le griglie, ed avvitate le 4 viti visibili sulla parte anteriore (vedi nota alla sezione: contenuto dell'imballo); i ganci che bloccano il telaio sulla superficie di montaggio si posizionano automaticamente. Assicuratevi comunque che siano nella corretta posizione prima di serrare le viti. Una certo gioco è tollerato per recuperare eventuali difformità della superficie su cui è montato, ma se le viti vengono serrate troppo forte potrebbe piegarsi il telaio e la griglia potrebbe non aderirvi perfettamente.

Regolazione del diffusore

Il diffusore è progettato per essere orientato verso la posizione di ascolto, e nella maggior parte dei casi questo è il migliore risultato; comunque, per alcune applicazioni, la migliore condizione è di orientarlo non direttamente verso la posizione di ascolto.

Questo può essere necessario se:

- a. La stanza non è molto grande ed il suono sembra troppo aspro.
- b. La posizione di ascolto comprende una grande parte della stanza; aumentando i suoni riflessi e riducendo i suoni diretti, riuscirete a bilanciare la resa dei diffusori a beneficio di tutti gli ascoltatori.

Personalizzazione

Il telaio e la griglia hanno una finitura semi opaca bianca verniciabile, pronta per essere verniciata, se necessario.

Prima di verniciare la griglia, rimuovete il tessuto dalla parte posteriore.

Non dipingete gli altoparlanti o la zona del pannello dietro la griglia. Utilizzate la maschera di verniciatura fornita in dotazione. Evitate di toccare gli altoparlanti perché potreste danneggiarli.

Garanzia limitata

Questo prodotto è stato progettato e fabbricato secondo i più alti standard qualitativi. Tuttavia, nell'improbabile caso di un guasto o malfunzionamento, B&W Group Ltd. e i suoi distributori nazionali garantiscono parti sostitutive e mano d'opera gratuite (alcune eccezioni sono possibili) nei paesi in cui è presente un distributore ufficiale B&W.

Questa garanzia limitata è valida per un periodo di cinque anni dalla data di acquisto o di due anni per i componenti elettronici, diffusori attivi inclusi.

Termini e condizioni

- 1 La garanzia è limitata alla sola riparazione delle apparecchiature. La garanzia non copre i costi di trasporto o nessun altro tipo di costo, né i rischi derivanti dalla rimozione, il trasporto e l'installazione dei prodotti.
- 2 La garanzia è valida solo per l'acquirente originario e non è trasferibile.
- 3 Questa garanzia è applicabile solo in caso di materiali e/o fabbricazione difettosi al momento dell'acquisto e non è applicabile nei seguenti casi:
 - a. danni causati da installazione, connessione o imballaggio incorretti,
 - b. danni causati da un uso inadeguato del prodotto, diverso dall'uso specificato nel manuale dell'utente, negligenza, modifiche o impiego di componenti non fabbricati o autorizzati da B&W,
 - c. danni causati da apparecchiature ausiliarie difettose o inadatte,
 - d. danni causati da incidenti, fulmini, acqua, fiamme, calore, guerra, disordini pubblici o altra causa al di fuori del ragionevole controllo di B&W e dei suoi ufficiali distributori,
 - e. quando il numero di serie del prodotto è stato alterato, cancellato, rimosso o reso illeggibile,
 - f. se riparazioni o modifiche sono state effettuate da persone non autorizzate.
- 4 Questa garanzia completa le obbligazioni di legge regionali e nazionali dei rivenditori o distributori nazionali e non incide sui diritti del consumatore stabiliti per legge.

Riparazioni in garanzia

Se sono necessarie delle riparazioni, seguire le procedure delineate qui di seguito:

- 1 Se le apparecchiature sono utilizzate nel paese in cui sono state acquistate, contattare il rivenditore autorizzato B&W da cui sono state acquistate.

- 2 Se le apparecchiature non sono utilizzate nel paese in cui sono state acquistate, contattare il distributore nazionale B&W nel paese di residenza, che sarà in grado di fornire i dettagli della ditta incaricata delle riparazioni. Contattare B&W nel Regno Unito o visitare il sito web per i dettagli dei vari distributori di zona.

Per ricevere assistenza in garanzia, bisognerà esibire, compilata e timbrata dal rivenditore il giorno dell'acquisto, il tagliando di garanzia e lo scontrino d'acquisto originale o altro tipo di prova d'acquisto con data d'acquisto.

Nederlands

Handleiding

Geachte cliënt,

Dank u voor de aanschaf van de Bowers & Wilkins CCM 818 luidsprekers.

Sinds de oprichting in 1966 heeft B&W als uitgangspunt het streven naar perfecte geluidsweergave. Geïnspireerd door de oprichter van het bedrijf, wijlen John Bowers, heeft dit streven niet alleen grote investeringen in audio technologie en innovatie gebracht, maar vooral ook de blijvende waardering van muziek en film zorgen ervoor dat de technologie optimaal tot zijn recht komt.

De CCM 818 is een hoogwaardige luidspreker, primair ontwikkeld voor montage in het plafond bij twee kanalen en home theater systemen. Dankzij de onder een hoek gemonteerde voorzijde kan het geluid direct op het luistergebied worden gericht, zodat het ruimtebeeld wordt verbeterd, iets wat bij gewone plafondluidsprekers te wensen overlaat. Ook is toepassing als wandluidspreker mogelijk.

Hoe goed de luidsprekers zelf ook zijn, zij komen alleen volledig tot hun recht wanneer ze optimaal geïnstalleerd zijn. Lees daarom eerst deze handleiding in zijn geheel door. Het zal u helpen de maximale prestaties uit uw systeem te halen.

B&W wordt verkocht in meer dan 60 landen over de gehele wereld en heeft een netwerk van speciale distributeurs die u bij kunnen staan in het geval u een probleem heeft dat uw handelaar niet kan oplossen.

Milieu



De producten van B&W zijn ontwikkeld conform de internationale richtlijnen omtrent de Restriction of Hazardous Substances (RoHS – Beperking van Gevaarlijke Stoffen) in elektrische en elektronische apparatuur en de verwerking van Waste Electrical and Electronic Equipment (WEEE – Afgedankte Elektrische en Elektronische Apparatuur). Deze symbolen geven aan dat aan deze richtlijnen wordt voldaan en dat het product op de juiste manier dient te worden gerecycled of bewerkt in overeenstemming met deze richtlijnen. Raadpleeg zonodig de plaatselijke milieudienst voor nadere informatie.

Controleer de inhoud

De doos dient te bevatten:

- 1 Frame/baffle met de luidsprekereenheden en het wisselfilter
- 1 Grills
- 1 Verfsjabloon
- 1 Montagemaal

Kiezen van de juiste positie

Controleer eerst of er geen problemen kunnen ontstaan met andere installaties (waterleiding, airco, lichtnet enz.). In bestaande tussenwanden zoekt u met

speciaal gereedschap steunbalken en leidingen op om de optimale montagepositie te bepalen.

Controleer aan de hand van de tekening of er voldoende ruimte achter de wand is om de bevestigingsklampen geheel te openen.

Vermijd montage van de luidsprekers in dezelfde open ruimte als lichte buizen en dergelijke, daar deze kunnen gaan rammelen.

De luidsprekers zijn ontwikkeld voor goede prestaties in een holle ruimte van liefst meer dan 20 liter; let er dus op dat de ruimte niet teveel wordt beperkt door verstevigingsbalken.

In een vaste wand of in een plafond kan een holle ruimte doorlopen buiten de beperkingen van het frame, anders wordt de laagweergave beperkt.

De luidsprekers zijn afgestemd op montage gelijk met de wand of het plafond, verzonken dus. Kiest u daarvoor een plaats in de nabijheid van een hoek van wanden of wand/plafond, dan kan het resultaat teveel laag bevatten en zelfs boemerig klinken. Probeer de luidsprekers minimaal 0,5 m uit de hoek en van vloer of plafond te houden.

De volgende paragrafen geven informatie over de optimale opstelling, die uiteraard door de omstandigheden kan worden beïnvloed.

Magnetisch Strooiveld

De luidsprekereenheden veroorzaken een magnetisch strooiveld dat ook buiten de kast merkbaar is. Wij raden u aan magnetisch gevoelige zaken (beeldbuizen, computerdiscs, audio- en videobanden, creditcards, enz.) minimaal op een afstand van 0,5 m van de luidspreker te houden. LCD- en plasmaschermen hebben geen last van het magnetisch veld.

Front Luidsprekers voor audio en home theater

De CCM 818 is ideaal voor montage in het plafond om de luidsprekers zo min mogelijk te laten opvallen. In een home theater worden ze op ongeveer 0,5 m van het beeldscherm, of op ca. een halve meter van de voorste wand opgesteld. Het frame wordt dan zo gedraaid dat de laag/midden eenheden op het luistergebied zijn gericht (afbeelding 1).

Bij twee kanalen toepassingen dienen de luidsprekers onder een hoek van ca. 40° tot 60° op het centrum van het luistergebied te worden gericht (afbeelding 2).

Voor home theater dienen de linker en rechter luidsprekers ca. 0,5 m van de zijkant van het beeldscherm te blijven (afbeelding 3).

Surround luidsprekers

De luidsprekers worden normaal gesproken in het plafond geïnstalleerd en het frame zo gedraaid, zodat de laag/midden eenheden gericht zijn op het centrum van het luistergebied.

5.1 Kanalen

De horizontale hoek naar het centrum van de luisterpositie dient ongeveer 120° rondom het centrum van het beeldscherm zijn.

In deze toepassing kunnen de luidsprekers ook met succes in de zijwanden worden gemonteerd. Installeer ze dan minimaal 60 cm boven oorhoogte met de frames zo gepositioneerd dat de laag/midden eenheden op het centrum van het luistergebied zijn gericht (afbeelding 4).

6.1 Kanalen

Positioneer de luidsprekers aan de zijkanalen in lijn met het centrum van het luistergebied en één centraal achter de luisteraars met de frames gedraaid zodat de laag/midden eenheden op het centrum van het luistergebied zijn gericht (afbeelding 5).

7.1 Kanalen

Positioneer de luidsprekers aan de zijkanalen in lijn met het centrum van het luistergebied en twee achter de luisteraars onder een onderling hoek van ca. 40° (afbeelding 6).

VOORBEREIDING

Welke kabels

Een te hoge kabelweerstand gaat ten koste van het vermogen en beïnvloedt ook de frequentiecarakteristiek van de luidspreker. Houd de weerstand altijd zo laag mogelijk; de weerstand van beide aders samen dient bij normale toepassingen beneden 0,5 ohm te blijven en voor optimaal resultaat beneden 0,2 ohm. Raadpleeg de tabel in afbeelding 10 om de minimale kabeldikte te berekenen.

Montage in bestaande wanden

Markeer het centrum van de luidspreker en plaats de montagemaal zo dat de markering door het gat in het midden te zien is.

Markeer de positie zorgvuldig binnen de mal en maak exact binnen de markering de opening.

Om de structuur en sterkte van het plafond niet aan te tasten en bijgeluiden zoals rammelen te voorkomen, raden we u aan een ruime hoeveelheid houtlijm of mastiek aan te brengen tussen de balken en de wand in de nabijheid van de luidspreker.

Leg de kabel naar de opening en houd voldoende lengte om de luidspreker gemakkelijk aan te kunnen sluiten, maar niet teveel daar het loshangende stuk kan gaan rammelen tegen de constructie.

Nieuwe tussenwand

De luidsprekers kunnen worden geïnstalleerd nadat de wand of het plafond is voltooid, op dezelfde manier als hiervoor omschreven, maar het is eenvoudiger om de plaats te bepalen en het gat uit te zagen wanneer de voormontageset wordt gebruikt voordat de gipsplaat of steenstrip wordt aangebracht.

Niet of spijker de PMK (voormontageset) op de balken als aangegeven in de bij de set gevoegde aanwijzingen. Leg de kabel en zet deze vast op het bevestigingspunt op de PMK. Houd voldoende lengte om de luidspreker gemakkelijk aan te kunnen sluiten, maar niet teveel daar het loshangende stuk kan gaan rammelen tegen de constructie.

Het resultaat wordt beïnvloed door de hechting van de gipsplaat op de balken en wij raden u dan ook aan de panelen rond de luidsprekers zadel te lijmen als te nieten of spijkeren op de balken.

Is de gipsplaat eenmaal aangebracht, dan dient de buitenrand van de PMK als mal voor het uitzagen van de opening.

Vaste wand

Om de laagweergave niet al te zeer te beperken heeft de luidspreker een ruimte van minimaal 20 liter nodig. Dat wil zeggen dat in een standaard muur van 10 cm de ruimte zich uitstrekt buiten de grootte van het luidsprekerframe. Hiervoor kan simpelweg een latei worden aangebracht die het gat met de gipsplaat bedekt en vervolgens wordt de luidspreker gemonteerd als beschreven voor een tussenwand (afbeelding 7).

Demping van de opening

In de wand verdeelt u de demping – zorg voor voldoende ruimte voor de luidspreker. De dichtheid van de demping dient juist voldoende te zijn om te voorkomen dat deze na verloopt van tijd inzakt. In een open ruimte in de wand minimaal tot een afstand van 30 cm boven en onder de luidspreker vullen (afbeelding 8).

In het plafond legt u de demping op het plafond, over de opening en tot minimaal 30 cm rond de luidsprekeropening (afbeelding 9).

BELANGRIJK: zorg ervoor dat de materialen die u gebruikt voldoen aan de plaatselijke brand- en veiligheidseisen.

Bevestigen van de luidspreker

Schakel bij het maken van de verbindingen alle apparatuur uit.

Let bij het aansluiten van de kabels vooral op de juiste populariteit.

Met afgenomen grill positioneert u de luidspreker in de opening en zet het met de 4 zichtbare schroeven in de voorzijde vast (zie opmerking bij de inhoudsopgave van de set). Deze schroeven openen vanzelf de klampen achter het frontpaneel. Controleer of ze in de juiste positie zijn voordat u de schroeven echt vastdraait. Een zekere mate van buiging van het frame om eventuele ongelijkheid van de wand op te vangen, is toelaatbaar. Let er echter op de schroeven niet te vast te draaien omdat dan het luidsprekerframe vervorming van het frame zal optreden.

Breng de afdekplaatjes aan in de opening van de beide schroeven in het witte gedeelte van het frame voor een nette afwerking (afbeelding 10).

Instellen van de luidspreker

De luidspreker is bedoeld om op het luistergebied gericht te worden en in de meeste gevallen geeft dit het beste resultaat. Voor sommige surround toepassingen echter, kan het resultaat juist beter zijn wanneer het geluid van het luistergebied weg gericht wordt.

Dat kan het geval zijn wanneer:

- a. De kamer vrij hard is en het geluid hinderlijk wordt.
- b. Het luistergebied een groot deel van de kamer beslaat. Door het geluid meer te laten reflecteren en het aandeel van het directe geluid te reduceren, kan een betere balans tussen de luidsprekers worden verkregen.

Afwerking

Het frame is half mat wit afgewerkt en is geschikt om gelakt te worden in een kleur die bij uw interieur past.

Voordat u de grill verft deze van het frame verwijderen.

Behandel nooit de eenheden of de baffie achter de grill. Gebruik daarvoor het bijgeleverde verfsjabloon. Vermijd ook aanraking van de eenheden daar deze gemakkelijk beschadigd kunnen worden.

Garantie

Dit product is volgens de hoogste kwaliteitsnormen ontworpen en vervaardigd. Mocht er toch iets defect zijn aan dit product dan garanderen B&W Group Ltd. en haar landelijk distributeurnetwerk dat u aanspraak kunt maken op kosteloze reparatie (er zijn uitzonderingen) en vervanging van onderdelen in elk land, door een officiële B&W distributeur.

Deze beperkte garantie is geldig voor een periode van vijf jaar vanaf de aankoopdatum of twee jaar voor elektronica, waaronder actieve luidsprekers.

Voorwaarden

1. De garantie is beperkt tot de reparatie van de apparatuur. Transport- en andere kosten, eventueel risico voor het verwijderen, vervoeren en installeren van producten vallen niet onder deze garantie.
2. De garantie geldt alleen voor de eerste eigenaar en is niet overdraagbaar.
3. Deze garantie is niet van toepassing in andere gevallen dan defecten van materialen en/of fabricage ten tijde van aankoop en is niet van toepassing:
 - a. op schade die veroorzaakt is door onjuiste installatie, aansluiting of verpakking;
 - b. op schade die veroorzaakt is door onjuist gebruik, anders dan beschreven in de handleiding, nalatigheid, modificatie, of gebruik van onderdelen die niet door B&W zijn goedgekeurd of gemaakt;
 - c. op schade veroorzaakt door defecte of ongeschikte aanvullende apparatuur;
 - d. op schade veroorzaakt door ongeval, onweer, water, brand, hitte, oorlog, openbaar geweld of een andere oorzaak buiten redelijk toezicht van B&W en haar distributeurs;
 - e. op producten waarvan het serienummer gewijzigd, verwijderd, gewist of onleesbaar is gemaakt;
 - f. indien reparaties of modificaties zijn uitgevoerd door een onbevoegd persoon.

4. Deze garantie is ter aanvulling op eventuele nationale/regionale wettelijke verplichtingen voor dealers of nationale distributeurs en heeft geen invloed op uw wettelijke rechten als consument.

Garantieclaims

Wanneer u aanspraak wilt maken op garantie, handel dan als volgt:

1. Indien de apparatuur wordt gebruikt in het land van aankoop, neem dan contact op met de erkende B&W dealer waar de apparatuur is gekocht.
2. Indien de apparatuur niet in het land van aankoop wordt gebruikt, neem dan contact op met de nationale distributeur van B&W in het land waar u verblijft. Deze zal u informeren hoe te handelen. Ook kunt u contact opnemen met B&W in Groot-Brittannië of onze website bezoeken om te zien wie uw lokale distributeur is.

Om uw recht op garantie geldig te maken, dient u het garantiebewijs te overleggen, op de dag van aankoop ingevuld en van een stempel voorzien door uw handelaar. De originele aankoopfactuur of ander bewijs van aankoop, voorzien van koopdatum volstaan eveneens.

Ελληνικά

Οδηγίες Χρήσεως

Αγαπητέ πελάτη.

Σας ευχαριστούμε που επιλέξατε τα ηχεία CCM818 της Bowers and Wilkins.

Από την ίδρυσή το 1966, η φιλοσοφία της B&W είναι η διαρκής αναζήτηση της τέλει αναπαραγωγής του ήχου. Εμπνευσμένη από την ιδρυτή της εταιρείας τον John Bowers, η αναζήτηση αυτή δεν αποτέλεσε μόνο την αφετηρία για εντυπωσιακές επενδύσεις στην τεχνολογία του ήχου και μία ατέλειωτη σειρά καινοτομιών που έφεραν επανάσταση στο χώρο, αλλά βελτίωσε την ικανότητά μας να εκτιμούμε σωστά τη μουσική και τις κινηματογραφικές ταινίες, έτσι ώστε η μοναδική αυτή τεχνολογία να αξιοποιείται στο μέγιστο.

Το CCM818 είναι ένα ηχείο επιπέδου audiophile, που έχει σχεδιαστεί κυρίως για να τοποθετείται εντοιχισμένο στο ταβάνι, σε στερεοφωνικά συγκροτήματα και συστήματα ηχητικού κινηματογράφου. Η εμπρόσθια όψη του σχηματίζει κλίση, ώστε να μπορείτε να κατευθύνετε τον ήχο προς την περιοχή ακρόασης με μεγάλη ακρίβεια, βελτιώνοντας έτσι την ηχητική ποιότητα με τρόπο που τα συνηθισμένα ηχεία οροφής δεν μπορούν να προσφέρουν. Το CCM818 μπορεί επίσης να χρησιμοποιηθεί και ως εντοιχιζόμενο ηχείο surround.

Ωστόσο, όσο καλό και αν είναι ένα ηχείο, δεν θα μπορέσει να αποδώσει στο μέγιστο των δυνατοτήτων του, αν δεν εγκατασταθεί σωστά. Για το λόγο αυτό, καλό είναι να διαβάσετε προσεκτικά τις οδηγίες που περιλαμβάνονται σε αυτό το φυλλάδιο, για να μπορέσετε να βελτιστοποιήσετε την απόδοση του συστήματός σας.

Η B&W έχει ένα δίκτυο αποκλειστικών αντιπροσώπων σε περισσότερες από 60 χώρες, οι οποίοι θα μπορούν να σας βοηθήσουν στην περίπτωση που συναντήσετε κάποια προβλήματα που δεν μπορεί να λύσει ο πωλητής σας.

Πληροφορίες σχετικά με την προστασία του περιβάλλοντος



Όλα τα προϊόντα της B&W είναι σχεδιασμένα έτσι ώστε να συμμορφώνονται με τις διεθνείς οδηγίες σχετικά με τον περιορισμό των επιβλαβών ουσιών (Restriction of Hazardous Substances – RoHS) στις ηλεκτρικές και ηλεκτρονικές συσκευές, καθώς και με την διάθεση ηλεκτρικών και ηλεκτρονικών αποβλήτων (Waste Electrical and Electronic Equipment – WEEE). Τα δύο σύμβολα σημαίνουν συμμόρφωση με τις οδηγίες αυτές, και ότι τα προϊόντα πρέπει να ανακυκλωθούν ή να υποστούν την κατάλληλη επεξεργασία.

Για περισσότερες πληροφορίες σχετικά με τη διάθεση ειδικών απορριμμάτων, απευθυνθείτε στις αρμόδιες υπηρεσίες των τοπικών αρχών.

Περιεχόμενα συσκευασίας

Η συσκευασία θα πρέπει να περιέχει:

- 1 ηχεία με τα μεγάφωνα και το και το κύκλωμα διαχωρισμού (crossover)
- 1 προστατευτικά πλέγματα (γρίλιες) για την εμπρόσθια όψη των ηχείων
- 1 πρότυπα (φόρμες) για το μαρκάρισμα της θέσης του ηχείου στο ταβάνι
- 1 καλύμματα βαφής

Επιλογή θέσης

Τοποθετήστε τα ηχεία σε σημείο που να μην είναι κοντά σε άλλες εσωτερικές εγκαταστάσεις (σωλήνες ύδρευσης, εγκατάσταση κλιματισμού, καλώδια ρεύματος κ.λπ.). Σε υπάρχουσες κατασκευές με γυψοσανίδες (ψευδοροφές κ.λπ.), χρησιμοποιήστε ειδικά εργαλεία για τον εντοπισμό των πλαισίων του σκελετού, σωλήνων κ.λπ. ώστε να τοποθετήσετε τα ηχεία στις κατάλληλες θέσεις.

Δείτε το σχέδιο της κατατομής του ηχείου και βεβαιωθείτε ότι υπάρχει αρκετός χώρος πίσω από τη γυψοσανίδα ώστε οι σφιγκτήρες να μπορούν να τοποθετηθούν άνετα.

Αποφύγετε να τοποθετήσετε τα ηχεία σε εσωτερική κοιλότητα όπου υπάρχουν λεπτοί σωλήνες, για να αποφύγετε τους κραδασμούς.

Τα ηχεία είναι σχεδιασμένα για να λειτουργούν ικανοποιητικά σε κοιλότητες διαφορετικών όγκων. Ωστόσο ο ιδανικός όγκος της κοιλότητας είναι 20 λίτρα ή μεγαλύτερος, έτσι φροντίστε ώστε ο εσωτερικός χώρος τοποθέτησης των ηχείων να μην περιορίζεται από το σκελετό της γυψοσανίδας.

Σε συμπαγείς τοίχους, το άνοιγμα που θα κάνετε για την τοποθέτηση του ηχείου στον τοίχο ή στο ταβάνι θα πρέπει να είναι μεγαλύτερο από τις εξωτερικές του διαστάσεις, έτσι ώστε να μην περιορίζεται η απόδοση των μπάσων.

Τα ηχεία είναι σχεδιασμένα για να τοποθετούνται "half-space" (δηλ. σε εσοχή στο ταβάνι). Αν τα τοποθετήσετε κοντά στην ένωση του τοίχου με το ταβάνι ή σε γωνία, μπορεί να αυξηθούν υπερβολικά τα μπάσα και ο ήχος να είναι "μουντός". Προσπαθήστε τα ηχεία να απέχουν τουλάχιστον μισό μέτρο από τις γωνίες.

Οι επόμενες ενότητες περιλαμβάνουν γενικές οδηγίες για την καλύτερη τοποθέτηση των ηχείων, όμως ίσως χρειαστεί να κάνετε ορισμένες αλλαγές για να προσαρμόσετε την εγκατάσταση στις ιδιαιτερότητες του χώρου.

Ελεύθερα μαγνητικά πεδία

Τα μεγάφωνα των ηχείων παράγουν μαγνητικό πεδίο που ξεπερνά τα όρια της καμπίνας. Για το λόγο αυτό δεν πρέπει να τοποθετηθούν σε απόσταση μικρότερη από μισό μέτρο από

συσκευές που μπορούν να επηρεαστούν από το πεδίο αυτό, όπως είναι οι τηλεοράσεις CRT, οι οθόνες των ηλεκτρονικών υπολογιστών, βιντεοκασέτες κλπ. Οι τηλεοράσεις LCD και plasma δεν επηρεάζονται από τα μαγνητικά πεδία.

Εμπρόσθια ηχεία για στερεοφωνικά συγκροτήματα και συστήματα οικιακού κινηματογράφου

Το CCM 818 είναι ιδανικό για περιπτώσεις όπου τα ηχεία ενός συστήματος πρέπει να τοποθετηθούν στο ταβάνι, έτσι ώστε η παρουσία τους να είναι όσο πιο διακριτική γίνεται. Στα συστήματα οικιακού κινηματογράφου, τα εμπρόσθια ηχεία θα πρέπει να τοποθετηθούν περίπου μισό μέτρο από το επίπεδο της οθόνης, ενώ σε στερεοφωνικά συγκροτήματα, η κατάλληλη θέση είναι στον μπροστινό τοίχο. Θα πρέπει να στρέψετε το πλαίσιο της εμπρόσθιας όψης έτσι ώστε τα μεγάφωνα χαμηλών/μεσαίων να κατευθύνονται προς την περιοχή ακρόασης (Εικόνα 1).

Η καλύτερη ηχητική απεικόνιση σε στερεοφωνικά συστήματα επιτυγχάνεται όταν τα ηχεία είναι τοποθετημένα έτσι ώστε να σχηματίζουν μία νοητή γωνία μεταξύ 40 και 60 μοιρών με το κέντρο της περιοχής ακρόασης (Εικόνα 2).

Για τα πολυκάναλα συστήματα οικιακού κινηματογράφου, τα δύο εμπρόσθια ηχεία πρέπει να απέχουν περίπου μισό μέτρο από τα άκρα της οθόνης (Εικόνα 3).

Ηχεία surround

Τα ηχεία surround (πίσω ηχεία) πρέπει να τοποθετούνται στο ταβάνι με το πλαίσιο της εμπρόσθιας όψης στραμμένο έτσι ώστε τα μεγάφωνα χαμηλών/μεσαίων να "βλέπουν" προς το κέντρο της περιοχής ακρόασης.

Συστήματα 5.1 καναλιών

Η οριζόντια γωνία με το κέντρο της θέσης ακρόασης πρέπει να είναι περίπου 120 μοίρες γύρω από το κέντρο της οθόνης

Για αυτή την εφαρμογή (surround), τα ηχεία μπορούν να εγκατασταθούν και στον πίσω τοίχο του χώρου ακρόασης. Πρέπει να τοποθετηθούν τουλάχιστον 60 εκατοστά από το ύψος του αυτιού και με το πλαίσιο της εμπρόσθιας όψης στραμμένο έτσι ώστε τα μεγάφωνα χαμηλών/μεσαίων να "βλέπουν" προς το κέντρο της περιοχής ακρόασης (Εικόνα 4).

Συστήματα 6.1 καναλιών

Τοποθετήστε δύο ηχεία σε ευθεία με το κέντρο της θέσης ακρόασης, και ένα κεντρικά, πίσω από τους ακροατές, με το πλαίσιο της εμπρόσθιας όψης στραμμένο έτσι ώστε τα μεγάφωνα χαμηλών/μεσαίων να "βλέπουν" προς το κέντρο της περιοχής ακρόασης (Εικόνα 5).

Συστήματα 7.1 καναλιών

Τοποθετήστε δύο ηχεία σε ευθεία με το κέντρο της θέσης ακρόασης, και δύο πίσω από τους ακροατές, έτσι ώστε να σχηματίζουν νοητή γωνία 40 περίπου μοιρών (Εικόνα 6).

ΠΡΟΕΤΟΙΜΑΣΙΑ ΤΟΥ ΧΩΡΟΥ ΕΓΚΑΤΑΣΤΑΣΗΣ

Επιλογή καλωδίων

Αν τα καλώδια έχουν υπερβολικά υψηλή αντίσταση, ελαττώνεται η ισχύς και αλλοιώνεται η απόκριση συχνότητας των ηχείων. Επιλέξτε καλώδια με όσο το δυνατό πιο χαμηλή αντίσταση. Η αντίσταση βρόγχου (loop resistance) θα πρέπει να είναι μικρότερη από 0,5 ohms, ενώ για απαιτητικές εφαρμογές και καλύτερα αποτελέσματα, θα πρέπει να μην ξεπερνά τα 0,2 ohms. Χρησιμοποιήστε τον πίνακα της Εικόνας 10 για να υπολογίσετε την ελάχιστη διάμετρο των καλωδίων.

Υπάρχουσα ψευδο-κατασκευή (γυψοσανίδα, ψευδοροφή κ.λπ.)

Μαρκάρετε στον τοίχο το σημείο όπου θέλετε να είναι το κέντρο του ηχείου, και τοποθετήστε το πρότυπο (φόρμα) έτσι ώστε το σημείο που έχετε μαρκάρει να φαίνεται από την οπή στο κέντρο της φόρμας

Μαρκάρετε την οπή γύρω από το εξωτερικό άκρο της φόρμας και κόψτε προσεκτικά, ελάχιστα μέσα από τη γραμμή.

Για να βελτιώσετε τη μηχανική ομοιογένεια του τοίχου και να μειώσετε το ενδεχόμενο κραδασμών, συνιστούμε να περάσετε ένα στρώμα ξυλόκολλας στους αρμούς μεταξύ της πίσω πλευράς της γυψοσανίδας και του σκελετού, στην περιοχή γύρω από το ηχείο.

Περάστε το καλώδιο στο άνοιγμα, αφήνοντας αρκετό "αέρα" ώστε να το συνδέσετε εύκολα στο ηχείο, αλλά όχι υπερβολικό γιατί το καλώδιο που θα περισσεύει μπορεί να προκαλεί θόρυβο (τριξίματα κ.λπ.) ερχόμενο σε επαφή με την υπόλοιπη κατασκευή.

Νέα ψευδο-κατασκευή

Το ηχείο μπορεί να τοποθετηθεί με τον ίδιο τρόπο που περιγράφεται για τις υπάρχουσες κατασκευές, μόλις ολοκληρωθεί το ταβάνι ή ο τοίχος αλλά στις νέες κατασκευές είναι ευκολότερο να ανοίξετε την οπή αν χρησιμοποιήσετε το σετ προ-εγκατάστασης (παρέχεται ξεχωριστά) πριν τοποθετηθεί η γυψοσανίδα.

Συνδέστε με κλιπς ή καρφώστε το σετ προ-εγκατάστασης PMK στο σκελετό, με τον τρόπο που περιγράφεται στις οδηγίες που το συνοδεύουν. Περάστε το καλώδιο και ασφαλίστε το στο ειδικό σημείο τοποθέτησης του PMK. Αφήνοντας αρκετό "αέρα" ώστε να το συνδέσετε εύκολα στο ηχείο, αλλά όχι υπερβολικό γιατί το καλώδιο που θα περισσεύει μπορεί να προκαλεί

θόρυβο (τριξίματα κ.λπ.) ερχόμενο σε επαφή με την υπόλοιπη κατασκευή.

Το ηχητικό αποτέλεσμα μπορεί να επηρεαστεί από το πόσο καλά είναι συνδεδεμένη η γυψοσανίδα στο σκελετό, και συνιστούμε να κολλήσετε και να βιδώσετε ή να καρφώσετε τις πλάκες στο σκελετό, στην περιοχή γύρω από το ηχείο.

Αφού τοποθετηθεί η γυψοσανίδα, χρησιμοποιήστε το εσωτερικό πλαίσιο του PMK για να ανοίξετε την τρύπα που θα μπει το ηχείο.

Κανονική κατασκευή (συμπαγής τοίχος)

Για να μην περιορίζεται η απόδοση των μπάσων, η κοιλότητα του τοίχου στην οποία θα τοποθετηθεί το κάθε ηχείο πρέπει να έχει όγκο τουλάχιστον 20 λίτρα. Αυτό σημαίνει ότι σε ένα τυπικό τοίχο πάχους 10 εκατοστών, η κοιλότητα θα ξεπερνά τα όρια του πλαισίου του ηχείου. Είναι δυνατό να δημιουργήσετε αυτή την κοιλότητα, χρησιμοποιώντας απλά ένα πρέκι, καλύπτοντας την τρύπα με γυψοσανίδα και τοποθετώντας το ηχείο όπως περιγράφεται πιο πάνω, στην ενότητα για τις υπάρχουσες ψευδο-κατασκευές (Εικόνα 7).

Μόνωση της κοιλότητας

Γεμίστε την κοιλότητα του τοίχου με στρώσεις υαλονημάτος (fiberglass) ή ορυκτοβάμβακα (mineral wool), αφήνοντας χώρο για το ίδιο το ηχείο. Το πάχος του μονωτικού υλικού θα πρέπει να είναι μόνο όσο χρειάζεται για να μην πέσει ή να χαλαρώσει με τον καιρό. Σε ανοιχτή κοιλότητα, καλύψτε με τη μόνωση απόσταση τουλάχιστον 30 εκατοστών επάνω και κάτω από το ηχείο (Εικόνα 8).

Στο ταβάνι, στρώστε τη μόνωση στην πίσω πλευρά της εσωτερικής επιφάνειας, καλύπτοντας το άνοιγμα, και επεκτείνοντας τη μόνωση τουλάχιστον 30 εκατοστά γύρω από το ηχείο (Εικόνα 9).

ΠΡΟΣΟΧΗ: Βεβαιωθείτε ότι τα υλικά που θα χρησιμοποιήσετε τηρούν όλους τους κανονισμούς αντιπυρικής προστασίας και ασφαλείας.

Τοποθέτηση του ηχείου

Πριν κάνετε οποιαδήποτε σύνδεση θέστε όλες τις συσκευές του συστήματος εκτός λειτουργίας και βγάλτε τις από την πρίζα.

Συνδέστε το καλώδιο τηρώντας τη σωστή πολικότητα (+, -).

Έχοντας αφαιρέσει την προστατευτική γρίλια και την εμπρόσθια όψη (μπάφλα) του ηχείου, τοποθετήστε το πλαίσιο εντοίχισης στο άνοιγμα και βιδώστε τις 4 βίδες που υπάρχουν μπροστά (δείτε και τη σημείωση στην ενότητα "Περιεχόμενα συσκευασίας"). Οι βίδες αυτές πιάνουν αυτόματα σε σφικτήρες που υπάρχουν πίσω από την επιφάνεια του πλαισίου. Βεβαιωθείτε ότι οι βίδες είναι απόλυτα ευθυγραμμισμένες με τους σφικτήρες πριν τις

σφίξετε τελείως. Το πλαίσιο μπορεί να "παίζει" λίγο για να προσαρμοστεί σε ενδεχόμενη ανομοιομορφία της επιφάνειας του τοίχου, αλλά δεν θα πρέπει να σφίξετε υπερβολικά τις βίδες, γιατί αν παραμορφωθεί πολύ το πλαίσιο θα είναι δύσκολο να τοποθετήσετε τη γρίλια του ηχείου.

Ρύθμιση του ηχείου

Το ηχείο είναι σχεδιασμένο ώστε να είναι στραμμένο προς το κέντρο της περιοχής ακρόασης, και στις περισσότερες περιπτώσεις αυτός ο τρόπος δίνει τα καλύτερα αποτελέσματα. Ωστόσο σε ορισμένες εφαρμογές οικιακού κινηματογράφου, μπορεί το τελικό αποτέλεσμα να είναι καλύτερο αν ο ήχος οδηγείται σε άλλη κατεύθυνση από αυτή της περιοχής ακρόασης.

Αυτός ο τρόπος μπορεί να εφαρμοστεί σε περιπτώσεις όπου:

- Ο χώρος έχει μεγάλη αντίληψη και ο ήχος γίνεται τραχύς.
- Η περιοχή ακρόασης καλύπτει μεγάλο τμήμα του χώρου. Αυξάνοντας τον ήχο που φτάνει στους ακροατές ανακλώμενος και ελαττώνοντας τον απ' ευθείας μεταδιδόμενο ήχο, μπορείτε να πετύχετε καλύτερη ακουστική ισορροπία μεταξύ των ηχείων για όλους τους ακροατές.

Βαφή

Το πλαίσιο και η γρίλια είναι σε λευκό ματ χρώμα, το οποίο μπορεί να βαφεί στο χρώμα που θέλετε.

Πριν βάψετε την προστατευτική γρίλια, αφαιρέστε την από το πλαίσιο.

MHN βάψετε τα μεγάφωνα ή το τμήμα της εμπρόσθιας όψης που βρίσκεται πίσω από τη σίτα. Αποφύγετε να αγγίξετε τα μεγάφωνα γιατί μπορεί να προκληθεί ζημιά.

Περιορισμένη εγγύηση

Το προϊόν που αγοράσατε έχει σχεδιαστεί και κατασκευαστεί με τις υψηλότερες προδιαγραφές ποιότητας. Ωστόσο, αν συναντήσετε το παραμικρό πρόβλημα με τη λειτουργία του, η B&W Group Ltd. και οι αντιπρόσωποί της σε όλες τις χώρες σας παρέχουν εγγύηση για δωρεάν επισκευή (με την πιθανότητα κάποιων εξαιρέσεων) και αντικατάσταση εξαρτημάτων, σε όλες τις χώρες που υπάρχει επίσημος αντιπρόσωπος της B&W. Η περιορισμένη αυτή εγγύηση ισχύει για περίοδο πέντε ετών από την ημερομηνία αγοράς του προϊόντος, ή δύο ετών αν πρόκειται για αυτοεπιτιμωμένα ηχεία που περιλαμβάνουν ηλεκτρονικά εξαρτήματα.

Όροι της εγγύησης

- Η εγγύηση καλύπτει μόνο την επισκευή των προϊόντων. Δεν καλύπτει τα έξοδα αποστολής ή οποιαδήποτε άλλα έξοδα, ούτε και ενδεχόμενους κινδύνους που μπορεί να προκύψουν από την απεγκατάσταση, τη μεταφορά και την εγκατάσταση των προϊόντων.
- Η παρούσα εγγύηση ισχύει μόνο για τον αρχικό ιδιοκτήτη του προϊόντος, και δεν μπορεί να μεταβιβαστεί.
- Η παρούσα εγγύηση δεν ισχύει για περιπτώσεις άλλες από αυτές που περιλαμβάνουν ελαττωματικά υλικά ή/και ανθρώπινο σφάλμα κατά τη στιγμή της αγοράς του προϊόντος. Η παρούσα εγγύηση δεν ισχύει στις εξής περιπτώσεις:
 - Για ζημιές που προέκυψαν από λανθασμένη εγκατάσταση, σύνδεση ή συσκευασία.
 - Για ζημιές που προέκυψαν από χρήση διαφορετικής από αυτή που περιγράφεται στο χειρίδιο οδηγιών, από αμέλεια, μετατροπές, ή χρήση εξαρτημάτων που δεν είναι κατασκευασμένα ή εγκεκριμένα από την B&W.
 - Για ζημιές που οφείλονται σε ελαττωματικές ή ακατάλληλες τρίτες συσκευές.
 - Για ζημιές που οφείλονται σε ατύχημα, κεραυνό, νερό, φωτιά, υψηλές θερμοκρασίες, κοινωνικές αναταραχές, ή σε οποιαδήποτε άλλη αιτία που δεν σχετίζεται και δεν ελέγχεται από την B&W.
 - Για προϊόντα των οποίων ο αριθμός σειράς έχει αλλάξει, διαγραφεί, αφαιρεθεί ή έχει γίνει δυσανάγνωστος.
 - Αν έχουν γίνει επισκευές ή τροποποιήσεις από μη εξουσιοδοτημένα πρόσωπα (δηλαδή από πρόσωπα που δεν έχουν την επίσημη έγκριση της B&W για να εκτελέσουν τις άνω εργασίες).
- Η παρούσα εγγύηση ισχύει συμπληρωματικά σε οποιοδήποτε εθνικές ή τοπικές νομικές υποχρεώσεις των πωλητών ή των εθνικών αντιπροσώπων, και δεν επηρεάζει τα νομικά δικαιώματα που έχετε ως πελάτης.

Πώς να απαιτήσετε επισκευή στα πλαίσια της εγγύησης

Αν το προϊόν που αγοράσατε χρειαστεί επισκευή, ακολουθήστε την πιο κάτω διαδικασία:

- Αν το προϊόν χρησιμοποιείται στη χώρα που αγοράστηκε, επικοινωνήστε με την αντιπροσωπεία της B&W ή με το κατάστημα από όπου το αγοράσατε.
- Αν το προϊόν χρησιμοποιείται σε διαφορετική χώρα από αυτήν που αγοράστηκε, θα πρέπει να επικοινωνήσετε με την αντιπροσωπεία της B&W στη χώρα αυτή, από όπου και θα πληροφορηθείτε πού μπορεί να γίνει η επισκευή του προϊόντος. Μπορείτε να τηλεφωνήσετε στα κεντρικά γραφεία της B&W, στο Ηνωμένο Βασίλειο (+44 1903 221 500), ή να επισκεφτείτε την ιστοσελίδα μας (www.bwspeakers.com), για

να μάθετε τα στοιχεία των κατά τόπους αντιπροσώπων της B&W.

Για να επικυρώσετε την εγγύηση θα πρέπει να συμπληρώσετε το σχετικό φυλλάδιο και να το στείλετε στην αντιπροσωπεία της B&W, σφραγισμένο από το κατάστημα από όπου αγοράσατε το προϊόν. Εναλλακτικά, μπορείτε για ενδεχόμενη επισκευή να προσκομίσετε την αρχική απόδειξη αγοράς ή οποιοδήποτε άλλο στοιχείο αποδεικνύει την κατοχή και την ημερομηνία αγοράς του προϊόντος.

Русский Руководство по эксплуатации

Уважаемый покупатель!

Благодарим за приобретение акустических систем (АС) ССМ 818 производства компании Bowers and Wilkins.

Со времени основания в 1966 году, компания Bowers & Wilkins всегда ставила своей целью безупречное воспроизведение звука.

Воодушевляемая в этом стремлении своим основателем, ныне покойным Джоном Бауэрсом, компания вкладывала большие средства не только в разработку новейших технологий аудио, но и в постоянное изучение особенностей современной музыки и кино, чтобы использовать эти технологии максимально эффективно.

ССМ 818 представляют собой АС аудиофильного класса, предназначенные для работы в 2-канальных системах и в домашнем театре и рассчитанные на монтаж в потолок. Поворотная передняя панель позволяет направить ось излучения на слушателей, отчего фокусировка звукового образа выигрывает по сравнению с обычными потолочными АС. Также возможно применение ССМ 818 в качестве встраиваемой в стену АС окружающего звука.

Однако, как бы хороши ни были АС сами по себе, их полный потенциал может раскрыться только при правильной установке. Пожалуйста, внимательно прочтите данное руководство. Оно поможет оптимизировать характеристики Вашей аудиосистемы.

B&W поддерживает сеть специализированных дистрибьюторов более чем в 60-ти странах. Если Вас возникли какие-либо проблемы, с которыми не может справиться дилер, наши дистрибьюторы охотно придут на помощь.

Информация по защите окружающей среды



Все продукты B&W созданы в полном соответствии с международными директивами по ограничению использования опасных материалов (Restriction of Hazardous Substances – RoHS) в электрическом и электронном оборудовании, а также по его утилизации (Waste Electrical and Electronic Equipment – WEEE). Знак перечеркнутого мусорного бака означает соответствие директивам и то, что продукт должен быть правильно утилизирован или переработан. Проконсультируйтесь с вашей местной организацией, которая занимается утилизацией отходов, по вопросам правильной сдачи вашего оборудования в утиль.

Проверьте комплектацию

Упаковка должна содержать:

- 1 x Фронтальную панель с динамиками и кроссоверами
- 1 x Защитную решетку
- 1 x Трафарет для окраски
- 1 x Монтажный шаблон

Размещение

Убедитесь, что установке АС на выбранном месте не помешают другие встроенные объекты (трубы, воздуховоды систем кондиционирования, силовые кабели и т.д.). Для поиска стоек и труб в готовой гипсокартонной стене можно воспользоваться специальными инструментами.

Убедитесь, что за гипсокартонной плитой достаточно места для полной фиксации поворотных зажимов (найдите зажимы на прилагаемом чертеже).

Не следует монтировать АС в одной полости с тонкими трубами, которые могут дребезжать.

АС могут нормально работать в полостях различного объема, но предпочтительно, чтобы объем полости превышал 20 литров. Поэтому проверьте, не слишком ли ограничивают объем поперечные элементы конструкции.

В сплошной стене/потолке следует обеспечить полость, границы которой выходят за раму АС, иначе пострадает воспроизведение низких частот.

АС рассчитаны на монтаж в протяженную плоскость (например, заподлицо в потолок или софит). При размещении АС в углу или вблизи сопряжения стены с потолком низкие частоты могут усиливаться, отчего бас становится гулким. Старайтесь, чтобы расстояние до стыка стена/потолок составляло не менее 0,5 м.

Ничего мы не даем общие рекомендации по оптимальному размещению АС. Следуйте им с учетом особенностей домашней обстановки.

Рассеянное магнитное поле

АС создают магнитное поле, выходящее за рамки их корпуса. Поэтому не следует размещать их в пределах 0,5 м от устройств, подверженных влиянию такого поля, например, экранов кинескопных телевизоров и персональных компьютеров, магнитных кассет и лент, а также кредитных карточек. На LCD и плазменные телевизоры магнитное поле не влияет.

Фронтальные АС в аудиосистеме или домашнем театре

ССМ 818 идеально подходит для монтажа в потолок в случае, когда от АС требуется быть, как можно менее заметными. В многоканальных системах домашнего театра они должны находиться на расстоянии примерно 0,5 м от плоскости экрана (либо фронтальной стены в случае только аудио инсталляции). Переднюю панель следует повернуть так, чтобы НЧ/СЧ-

динамики были направлены на слушателей. (рисунок 1).

В 2-канальной системе АС должны образовывать угол от 40 ° до 60 °, если смотреть из центра зоны прослушивания. (рисунок 2).

В домашнем театре левая и правая АС должны отстоять от краев экрана примерно на 0,5 м. (рисунок 3)

АС окружающего звука

При расположении этих АС на потолке рамы следует повернуть так, чтобы НЧ/СЧ-динамики были направлены в центр зоны прослушивания.

В 5.1-канальной системе

Две тыловые АС должны располагаться под углом примерно 120 ° относительно центральной оси и центра зоны прослушивания.

Для этой цели АС можно с успехом смонтировать и на боковых стенах. Тогда они должны находиться как минимум на 60 см выше уровня ушей, а их рамы опять же следует повернуть так, чтобы НЧ/СЧ-динамики были направлены в центр зоны прослушивания. (рисунок 4)

В 6.1-канальной системе

Боковые АС разместите на уровне центра зоны прослушивания, а тыловую – на центральной оси позади слушателей. Рамы следует повернуть так, чтобы НЧ/СЧ-динамики были направлены в центр зоны прослушивания. (рисунок 5).

В 7.1-канальной системе

Боковые АС разместите на уровне центра зоны прослушивания. Две тыловые АС поместите позади слушателей так, чтобы угол между ними с точки зрения слушателя составлял примерно 40 °. (рисунок 6)

ПОДГОТОВКА К МОНТАЖУ

Выбор кабеля

Повышенное сопротивление кабеля приводит к потере мощности и влияет на частотную характеристику АС. Предпочтительно, чтобы общее сопротивление кабеля, (при измерении оба проводника кабеля соединены последовательно) не превышало 0,5 Ом для некритичных случаев и 0,2 Ом для достижения наилучшего результата. Минимальную толщину кабеля можно найти в таблице на рис. 10.

Подготовка существующей гипсокартонной стены (потолка)

Отметьте на поверхности желаемую точку расположения центра АС. Приложите шаблон так, чтобы эта точка совпала с отверстием в центре шаблона.

Обведите шаблон по периметру и прорежьте отверстие точно по линии. Для повышения механического единства конструкции и уменьшения вероятности дребезга, рекомендуем нанести чуть-чуть древесного клея или мастики вдоль стыков плиты с элементами конструкции в

непосредственной близости от АС. Протяните кабель в отверстие, оставив достаточно длины для удобного подсоединения АС, но не слишком много, т.к. провисший кабель может дребезжать о стену.

Подготовка новой гипсокартонной стены (потолка)

Можно ставить АС в готовую стену (потолок), как указано выше, но проще сделать это с помощью опционального пре-монтажного комплекта (ПМК), пока плита еще не прикреплена.

Прикрепите ПМК к элементам конструкции степлером или гвоздиками, как описано в инструкции на ПМК. Протяните кабель и закрепите его в точке фиксации ПМК. Оставьте небольшой запас длины для удобного подсоединения АС, но не слишком много, т.к. провисший кабель может дребезжать о стену.

Полученный результат будет зависеть от качества крепления плиты к элементам конструкции, поэтому рекомендуем в непосредственной близости от АС, помимо шурупов или гвоздей, использовать клей.

После установки плиты внутренний край ПМК служит направляющей для пилы или другого режущего инструмента.

Подготовка сплошной стены

Чтобы не страдало воспроизведение низких частот, требуется объем полости не менее 20 литров. Это значит, что в стандартной кирпичной стене толщиной 10 см полость должна выходить за границы рамы АС. Можно создать такую полость, просто использовав горизонтальную перемычку, закрыть проем гипсокартонной плитой и смонтировать АС, как в готовую гипсокартонную стену. (рисунок 7)

Демпфирование полости

Заполните полость, за исключением пространства непосредственно позади АС, листом стекловаты или минеральной ваты. Плотность материала должна быть такой, чтобы он со временем не стал сыпаться или провисать. Пустотелую стену заполните по крайней мере на 30 см выше и ниже АС. (рисунок 8).

В потолке, поместите пласт за обшивкой потолка так, чтобы он закрыл отверстие и занял как минимум еще 30 см вокруг АС. (рисунок 9).

ВНИМАНИЕ: Убедитесь, что применяемый материал соответствует противопожарным и строительным нормам.

Установка АС

Все электрические соединения должны производиться при выключенном оборудовании.

Подсоедините кабель, соблюдая правильную полярность. Поместите АС (без решетки) в отверстие и заверните 4 видных спереди винта. (см. Примечание выше в разделе содержания).

При этом поворотные зажимы автоматически прикрепляют раму к плите. Убедитесь, что все они заняли правильное положение, затем полностью затяните винты. Рама обладает определенной гибкостью, компенсирующей неровность монтажной поверхности. Однако не следует затягивать винты слишком сильно, так как лишнее искривление рамы может затруднить установку декоративной решетки.

Настройка АС

Как правило, направление излучения АС на слушателей дает наилучший результат, и данная модель рассчитана именно на это. Однако, бывают ситуации, когда лучше направить звук в сторону от зоны прослушивания. Типичные примеры таких ситуаций:

- Комната акустически "яркая", отчего звук становится резким.
- Зона прослушивания занимает большую часть комнаты. Увеличение доли отраженного звука и уменьшение доли прямого может дать лучший усредненный баланс между АС для всех слушателей.

Отделка

Полуматовая белая поверхность рамы и решетки готова к окраске в соответствии с цветовой гаммой интерьера.

Перед окраской декоративной решетки удалите ее с рамы.

Нельзя наносить краску на динамики и переднюю панель за решеткой. Используйте прилагаемый трафарет для окраски. Не прикасайтесь к динамикам, т.к. их легко повредить.

Ограниченная гарантия

Данное изделие было разработано и произведено в соответствии с высочайшими стандартами качества. Однако, при обнаружении какой-либо неисправности, компания B&W Group Ltd. и её национальные дистрибьюторы гарантируют бесплатный ремонт (существуют некоторые исключения) и замену частей в любой стране, обслуживаемой официальным дистрибьютором компании B&W.

Данная ограниченная гарантия действительна на период одного года со дня приобретения изделия конечным потребителем.

Условия гарантии

- 1 Данная гарантия ограничивается починкой оборудования. Затраты по перевозке и любые другие затраты, а также риск при отключении, перевозке и инсталлировании изделий не покрываются данной гарантией.

- 2 Действие данной гарантии распространяется только на первоначального владельца. Гарантия не может быть передана другому лицу.
- 3 Данная гарантия распространяется только на те неисправности, которые вызваны дефектными материалами и/или дефектами при производстве на момент приобретения и не распространяется:
 - a. на повреждения, вызванные неправильной инсталляцией, подсоединением или упаковкой,
 - b. на повреждения, вызванные использованием, не соответствующим описанному в руководстве по применению, а также неправильным обращением, модифицированием или использованием запасных частей, не произведённых или не одобренных компанией B&W,
 - в. на повреждения, вызванные неисправным или неподходящим вспомогательным оборудованием,
 - г. на повреждения, вызванные несчастными случаями, молнией, водой, пожаром, войной, публичными беспорядками или же любыми другими факторами, не подпадающими под контроль компании B&W и её официальных дистрибьюторов,
 - д. на изделия, серийный номер которых был изменён, уничтожен или сделан неузнаваемым,
 - е. на изделия, починка или модификация которых производились лицом, не уполномоченным компанией B&W.
- 4 Данная гарантия является дополнением к национальным/региональным законодательствам, которым подчиняются дилеры или национальные дистрибьюторы, то есть при возникновении противоречий, национальные/региональные законодательства имеют приоритетную силу. Данная гарантия не нарушает Ваших прав потребителя.

Для получения гарантийного обслуживания, Вам необходимо предоставить гарантийный талон, заполненный Вашим дилером и с поставленной им в день приобретения оборудования печатью; или же чек продажи или другое доказательство владения оборудованием и даты приобретения.

Куда обратиться за гарантийным обслуживанием

При необходимости получения гарантийного обслуживания, выполните следующие шаги:

- 1 Если оборудование используется в стране приобретения, Вам необходимо связаться с уполномоченным дилером компании B&W, у которого было приобретено оборудование.
- 2 Если оборудование используется за пределами страны приобретения, Вам необходимо связаться с национальным дистрибьютором компании B&W в данной стране, который посоветует Вам, где можно починить оборудование. Вы можете позвонить в компанию B&W в Великобритании или же посетить наш вебсайт, чтобы узнать контактный адрес Вашего местного дистрибьютора.

Česky

Návod k použití

Vážený zákazníku,

děkujeme, že jste si vybral reprosoustavy CCM818 od firmy Bowers & Wilkins.

Od svého založení v roce 1966 vyrábí firma B&W reprosoustavy pro náročné. Již od dob zakladatele společnosti, Johna Bowerse, neinvestuje společnost pouze do inovací v audio technologických, ale snaží se porozumět také novým trendům v poslechu hudby a sledování filmů – to vše proto, aby zajistila maximální efektivitu svých výrobků v těchto náročných aplikacích.

Model CCM818 je kvalitní audiofilská reprosoustava primárně určená k zabudování do stropu místnosti a to jak pro stereofonní aplikace, tak i pro domácí kino. Úhel nastavení ozvučnice je konstruován tak, aby bylo možné směřovat osu zvuku přímo k posluchači. Výborně se hodí také pro reprodukci surroundových kanálů.

Bez ohledu na to o jak kvalitní reprosoustavy se samo osobě jedná, je vždy nanejvýš důležitá jejich patřičná instalace a zabudování. Proto si prosím pozorně přečtěte tento manuál, pomůže vám to optimalizovat celý váš domácí systém.

Firma B&W udržuje ve více než 60ti zemích světa sítí výhradních distributorů, kteří vám pomohou vyřešit problém v případě, že vám nemůže pomoci váš prodejce.

Informace k životnímu prostředí



Produkty B&W jsou konstruovány tak, aby byly zcela v souladu s mezinárodními předpisy upravujícími použití nebezpečných materiálů v elektrických a elektronických zařízeních (RoHS) a aby umožňovaly ekologickou likvidaci opotřebených elektrických a elektronických zařízení (WEEE). Symbol přeškrtnuté popelnice značí soulad s nařízením na recyklovatelnost výrobku či možnost jiného zpracování, požadovaného příslušnými předpisy. V případě nejasností jak naložit s výrobky určenými k likvidaci se prosím obraťte na místně příslušný orgán státní správy, nebo na vašeho prodejce.

Kontrola obsahu

Balení obsahuje:

- 1x ozvučnici s reproduktory a vyhybkou
- 1x mřížku
- 1x lakovací masku
- 1x montážní šablonu

Volba umístění

Zkontrolujte, aby se pozice pro reprosoustavu nepřekrývala s ostatními instalacemi (vodovodními trubkami, elektroinstalací apod.). Před montáží do sádkartonové stěny či stropu napřed lokalizujte prvky podpůrné konstrukce pomocí detektoru, pro

navržení ideálního místa budoucího instalačního otvoru.

Ze zadní strany sádkartonové desky, počítejte s větší mezerou než je obrys reprosoustavy, aby bylo možné plně vysunuti zadních úchyť reprosoustavy do stran.

Vyvarujte se instalace reprosoustavy do dutiny ve které se nachází například tenkostěnné potrubí, jenž by mohlo rezonovat.

Reprosoustavy jsou navrženy s předpokladem velkého potřebného pracovního objemu (tvořeného instalační dutinou), ideální je okolo než 20 litrů, takže se ujistěte že prostor za reprosoustavou není ničím omezen.

Při montáži do plně zdi zhotovte pokud možno dutinu širší nežli je obrys reproduktorového rámečku, aby reprodukce basů nebyla omezena.

Reprosoustavy jsou konstruovány tak, aby při namontování do zdi vyzářovaly symetricky do půlkruhu. Umístění v rohu blízko jiné kolmé zdi či stropu může způsobit nepříjemné zdůraznění basů a jejich špatnou čitelnost. Zkuste umístit reprosoustavy dále než 0,5m od rohů zdi.

Následující doporučení Vám mohou být vodítkem pro optimální umístění, mohou však být modifikovány dle podmínek prostoru konkrétní instalace.

Nežádoucí magnetické vyzářování

Reprosoustavy produkují stálé magnetické pole. Proto se nedoporučuje k nim umístit do vzdálenosti menší než 0,5m zařízení citlivá na magnetické vyzářování (např. klasické vakuové obrazovky TV přijímačů). LCD či plazmové zobrazovače nebyvají na toto vyzářování citlivé.

Přední reprosoustavy pro audio či domácí kino

CCM 818 jsou ideální pro použití tam, kde se požadují co nejvíc nenápadné reprosoustavy. Pro domácí kino by měly být namontovány zhruba 0,5m od zobrazovací plochy, nebo čelní zdi v případě čistě audio instalace. Rámeček by měl být natočen tak, aby středobasové měniče vyzářovaly směrem do poslechového prostoru. (obr. 1)

Pro dvoukanalovou aplikaci by měly reprosoustavy svírat úhel mezi 40° až 60° se středem poslechového prostoru. (obr. 2)

Pro domácí kino by se měly levá a pravá reprosoustava nacházet zhruba 0,5m od stran obrazu. (obr. 3)

Surround reprosoustavy

Klasické umístění reprosoustav je ve stropě, s natočením rámečku tak, aby středobasové měniče vyzářovaly směrem k centru poslechového prostoru.

5.1 konfigurace

Horizontální úhel k centru poslechového pole by měl být asi 120° okolo středu obrazovky.

Reprosoustavy můžete také s úspěchem pro tuto aplikaci namontovat do postraních stěn. Měly by se

nacházet více než 60cm nad výškou uší posluchače, s rámečky natočenými tak, aby středobasové reproduktory vyzařovaly přímo do středu poslechového prostoru. (obr. 4)

6.1 konfigurace

Umístěte dvě reproduktory po stranách v linii středu poslechového prostoru a jednu doprostřed za posluchače, s rámečky natočenými tak, aby středobasové reproduktory vyzařovaly přímo do středu poslechového prostoru. (obr. 5)

7.1 konfigurace

Umístěte dvě reproduktory po stranách v linii středu poslechového prostoru a dvě za posluchače, tak aby svíraly úhel zhruba 40°. (obr. 6)

PŘÍPRAVA UMÍSTĚNÍ

Výběr kabelu

Nadměrný odpor kabelu snižuje výkon a degraduje frekvenční pásmo reproduktory. Vždy zkuste dodržovat co nejmenší odpor s hodnotou raději méně než 0,5 ohmů pro méně náročné aplikace a 0,2 ohmů pro ty nejnáročnější. Použijte tabulku 10 pro výpočet doporučované hodnoty kabelu.

Při již existující sádrokartonové konstrukci

Značka uprostřed šablony vyznačuje pozici středu reproduktory a střed potřebného montážního otvoru.

Překreslete vnější okraj šablony a co nejbližší vnitřní strany linky vyřízněte otvor.

Pro zdokonalení mechanické integrity stěny a redukci rezonancí, doporučujeme nanést lepidlo na dřevo či tmel na povrch zadní části sádrokartonu, aby jej nepoškodily úchyty reproduktory.

Protáhněte kabel ven otvorem a ponechte si délku postačující k pohodlnému připojení reproduktory, ne však příliš, aby volný kabel nezpůsobil rezonance.

Při nově budované sádrokartonové konstrukci

Jednou z možností je instalovat reproduktory do již kompletní stěny dle výše popsaného způsobu. Pro nalezení pozice a vyříznutí otvoru je ale lepší toto řešit dříve ještě sádrokartonový panel není namontován, což také umožňuje použití příslušného Pre-Mount Kitu (PMK).

Upevnění PMK ke konstrukci je popsáno v návodu kitu. Protáhněte kabel a zajistěte ho v upevňovacích bodech PMK. Nechte dostatečnou délku pro pohodlné zapojení reproduktory, nikoli však více, aby volný kabel nezpůsobil rezonance uvnitř konstrukce.

Nejllepší výsledků se dosáhne, je-li panel v blízkosti reproduktory pevně přichycen šrouby či hřebíky, nebo přilepen aby nerezonoval.

Vnitřní příruba PMK slouží jako vodičko pro vyříznutí či vyřezování otvoru do připraveného panelu.

Při instalaci do plně zdi

Pro dosažení nekompromisního podání basů, vyžaduje reproduktory pracovní objem v dutině alespoň 20 litrů, což znamená při standardní 10cm silné stěně dutinu širší než je plocha vyhraničená rámečkem reproduktory. To je možné pomocí překrytí dutiny sádrokartonovým panelem a uchycením reproduktory způsobem popsaným v části upevnění do sádrokartonu. (obr.7)

Zatlumení dutiny

Vyplňte dutinu – nikoli však prostor bezprostředně za reproduktory – rohožemi ze skelné či minerální vaty. Hustota materiálu by měla být taková, aby se časem neortbil a nedeformoval. V otevřené dutině zdi zachovejte vzdálenost zatlumení min. 30cm od reproduktory. (obr. 8)

V případě stropu zachovejte vzdálenost zatlumení min. 30cm od reproduktory v otevřené dutině. (obr. 9)

DŮLEŽITÉ: Dbejte aby materiály které používáte splňovaly místní protipožární a bezpečnostní předpisy.

Upevnění reproduktory

Veškeré připojování musí být prováděno při vypnutém zařízení.

Připojte kabel, přičemž dbejte na správnou polaritu.

Dokud není namontována mřížka, upravte pozici reproduktory v otvoru a přišroubujte ji 4mi šrouby viditelnými zepedu. Tyto šrouby automaticky vytočí do stran úchyty, které se nacházejí v zadní části pod povrchem. Ujistěte se o jejich správné pozici, než plně dotáhnete šrouby. Pružnost rámečku dovoluje přizpůsobení se drobným nerovnostem povrchu, dejte však pozor abyste přílišným dotážením šroubů rámeček nedeformovali.

Nastavení reproduktory

Reproduktory jsou navrženy tak, aby nejlepšího výsledku bylo dosaženo při jejich nasměrování k místu poslechu. Nicméně pro některé surround aplikace je vhodné toto pravidlo porušit.

Typické to bývá v těchto případech:

- Akustika místnosti je příliš živá a zvuk je velmi ostrý.
- Poslechové pole zabírá velkou část místnosti. V takovém případě je lepší využívat více odražený zvuk než směrový, aby byl dojem vyvážený mezi reproduktory podobný pro všechny posluchače.

Přizpůsobení

Rámeček a mřížka mají bílou polomatnou povrchovou úpravu dovolující jejich přebarvení tak, aby reproduktory lépe splynula s okolím.

Budete-li natírat mřížku, vyjměte ji napřed z rámečku reproduktory.

Nepřebarvujte reproduktory nebo ozvučnici pod mřížkou. Budete-li chtít natírat rámeček, zakryjte

měníče s ozvučnicí dodávanou lakovací maskou. Vyvarujte se dotyku s membránami měničů – mohlo by snadno dojít k jejich poškození.

Záruka

Výrobky firmy B&W jsou vyráběny tak, aby vyhověly všem požadavkům našeho náročného zákazníka. Nicméně, vznikne-li přesto nějaká závada, firma B&W Group Ltd. a její místní dovozce udělají vše potřebné, aby váš výrobek byl bezplatně (krom uvedených výjimek) opraven či uveden do řádného stavu.

Záruka běží po dobu 5 let a vztahuje se na neelektronické součásti výrobku. Dvouletá záruka je pak poskytována na veškeré elektronické součásti výrobků včetně zesilovačů aktivních reprosoustav.

Podmínky záruky

- 1 Záruka se vztahuje pouze na opravy výrobků. Nepokrývá přepravu reklamovaného výrobku do servisního střediska, manipulaci s ním a ani žádná rizika z přepravy a manipulace plynoucí.
- 2 Záruka platí pouze pro prvního kupce výrobku, při dalším prodeji se již nepřenáší.
- 3 Práva vyplývající ze záruky nebudou uznána v případě jiných závad než závad materiálu a dílenského zpracování a dále zejména v těchto případech:
 - a. výrobky byly špatně nainstalovány, zapojeny nebo špatně uskladněny či zabaleny,
 - b. výrobky byly zapojeny či použity jinak než se uvádí v návodu k použití, byla zanedbána jejich údržba, byly modifikovány nebo byly použity jiné než originální náhradní díly,
 - c. výrobky byly používány společně s nevhodným zařízením,
 - d. výrobky byly poškozeny nehodou, bleskem, vodou, ohněm, válkou, veřejnými nepokoji nebo nějakou jinou okolností za kterou firma B&W Group Ltd. ani její místní dovozce nemohou nést odpovědnost,
 - e. výrobní číslo výrobků bylo změněno, smazáno, odstraněno nebo se stalo nečitelným,
 - f. výrobky byly opravovány neautorizovanou osobou.
- 4 Tato záruka doplňuje místní právní úpravu záruční doby dle té které země a neplatí v těch bodech, které jsou s místní právní úpravou v rozporu. To neplatí v případech, kdy tato záruka jde nad rámec místní úpravy.

Uplatnění záruky

Uplatňujete-li reklamaci, postupujte prosím dle následujících kroků:

- 1 Reklamujete-li výrobek v zemi, ve které byl i zakoupen, kontaktujte autorizovaného prodejce výrobků B&W, kde jste výrobek zakoupili.

- 2 Reklamujete-li výrobek v jiné zemi, než ve které byl zakoupen, kontaktujte dovozce, který servis zajistí. Příslušného dovozce zjistíte buď přímo telefonicky u firmy B&W nebo na jejich www stránkách.

Při uplatňování záruky se vždy prokazujte záručním listem, který musí být opatřen datem prodeje, razítkem a podpisem autorizovaného prodejce. Alternativně se můžete prokázat paragonem či fakturou na základě které jste výrobek koupili. I tyto doklady musí obsahovat datum, podpis a razítko autorizovaného prodejce.

Magyar Használati útmutató

Tisztelt Vásárlónk!

Köszönjük, hogy a Bowers&Wilkins CCM 818 hangszugárzót választotta.

Az 1966-os alapítása óta a B&W folyamatosan a legjobb hangminőség elérésének kutatását végzi. Ezt a küldetést a cég alapítója, a néhai John Bowers ihlette, aki szerint nem csak az audio technológiában és a fejlesztésében történő komoly mértékű befektetés fontos, hanem megbecsülése a zenének és a filmeknek is, ezzel biztosítván a technika maximális hatékonyságát.

A CCM 818 egy kiváló minőségű hangszugárzó, melyet a mennyezetre történő beépítésre terveztek 2 csatornás sztereó vagy házimozzi használatához. Változtatható szögű hangszugárzója lehetővé teszi, hogy Ön a legjobb hangképet hallhassa, ellentétben a hagyományos fix rögzítésű mennyezeti hangfalakkal. A CCM 818 nagyszerű választás lehet falba épített surround hangszugárzóként is.

Azonban függetlenül attól, milyen kiválóak maguk a hangszugárzók, nem képesek teljes hatékonysággal üzemelni, amennyiben nem megfelelően kerülnek felszerelésre. Kérjük figyelmesen olvassa végig a kezelési útmutatót. Segíteni fog a rendszer optimális minőségű működésében.

A B&W világszerte több mint 60 országban van jelen és egy olyan szakképzett viszonteladói hálózatot üzemeltet, akik képesek lesznek segíteni bármilyen felmerülő probléma megoldásában.

Környezeti információk



Minden B&W terméket úgy terveztünk, hogy megfeleljenek az elektromos és elektronikus berendezésekben történő veszélyes alapanyagok felhasználásával (RoHS) és az elektromos, valamint elektronikus berendezések hulladéként történő elhelyezésével (WEEE) kapcsolatos nemzetközi előírásoknak. Ezek a szimbólumok a megfelelést jelzik és azt, hogy a termékeket az előírásoknak megfelelően kell újrahasznosítani, vagy feldolgozni. Lépjen kapcsolatba a helyi hulladékgyűjtő szolgáltatóval további tanácsokért.

Tartozékok ellenőrzése

A csomagban a következőket kell tartalmaznia:

- 1x Keret/hangszugárzó és hangváltó
- 1x Hangszugárzó rács
- 1x Festőmaszk
- 1x Beállító sablon

Elhelyezés kiválasztása

Ellenőrizze, hogy nem ütközik semmilyen akadályba (csővezeték, légkondicionáló, elektromos vezeték, stb.). Már elkészült szárazépítésű fal esetén

használjon fémkeresőt a tartóprofilok helyének pontos feltérképezéséhez és egy csővezeték keresőt a tervezett beépítési hely átfésüléséhez.

Győződjön meg arról, hogy elegendő hely áll rendelkezésre a gipszkarton mögött, hogy a kapcsok teljesen kinyílhassanak.

Tartózkodjon a hangszugárzó, olyan üregbe való beszerelésétől, ahol a falszerkezet laza, mivel ez zörgéshez vezethet.

A hangszugárzók úgy lettek tervezve, hogy a maximális működéshez nagy üregméret szükséges. Ennek mérete a 20 liter feletti űrtartalom. Ezért ellenőrizze hogy az üregméret nem túl korlátozott, a belső falszerkezet konstrukciója miatt (keresztgerenda, falmélység, stb.)

Tömör fal/mennyezet esetén készüljön fel, hogy olyan üreget kell biztosítania a falba/mennyezetbe, mely a hangszugárzó keretein is kívül esik, ellenkező esetben a mélyhang teljesítmény nem lesz kielégítő.

A hangszugárzók kiegyenlítették fél-helyes beépítés szempontjából. Fal/plafon találkozása vagy sarok közelében történő elhelyezéskor, túl sok mélyhang keletkezhet és ez a hangnak kóngo színezetet adhat, ezért próbálja meg a hangszugárzókat legalább fél méter távolságra elhelyezni a fal/mennyezet találkozási pontjaitól.

A következő rész eligazítást tartalmaz az optimális elhelyezésről, de ez változtatható a lakberendezési szempontok alapján is.

Szört mágneses mezők

A hangszórók szört mágneses mezőt hoznak létre, mely túlnyúlik a hangszugárzó határain. A mágnesességre érzékeny tárgyakat (katódsugárcsőves televízió és számítógép monitorok, számítógép lemezek, audio és videó kazetták, bankkártyák és hasonlók) legalább 0,5 méter távolságra helyezze a hangszugárzótól. Az LCD és plazma megjelenítőkre nincs hatással a mágneses mező.

Első hangszugárzó audio vagy házimozsi célra

A CCM 818 ideális arra a felhasználási esetre, amikor a hangszugárzókat a mennyezetre szerelik fel, hogy minél kevésbé legyenek szembeötölök. Házimozikban a képernyő síkjától, csak audio rendszerekben a faltól kb. 0,5 m távolságra kell felszerelni azokat. A keretet el kell forgatni, hogy a mély/közép meghajtó egységek közvetlenül a hallgatási területre irányuljanak. (1. ábra)

Sztereó felhasználás esetén a hangszugárzók szöge 40 és 60 fok között legyen a hallgatói pozícióhoz képest. (2. ábra)

Házimozinál jobb és bal irányban ugyancsak legalább fél méterre helyezze el a hangszugárzókat. (3. ábra)

Surround hangszugárzók

A hangszugárzókat a mennyezetbe kell elhelyezni, a keretet úgy forgatva el, hogy a mély/közép meghajtó egységek közvetlenül a hallgatási terület középre irányuljanak.

5.1 csatorna

A hallgatói pozíció középpontjához viszonyítva a vízszintes szögnek megközelítőleg 120 fokos körben kell elhelyezkednie a képernyő középpontjától.

Falba való beépítéskor célszerű a hangszugárzókat a fejmagasság felett legalább 60cm-el beszerelni. Mivel a kerete elforgatható így a mély/közép hangszugárzó a hallgatási pozícióhoz könnyedén beállítható. (4. ábra)

6.1 csatorna

Helyezzen el két hangszugárzót két oldalra egy vonalban a hallgatási terület középevel és egyet a hallgatók mögé középre, a keretet úgy forgatva el, hogy a mély/közép meghajtó egységek közvetlenül a hallgatási terület középre irányuljanak (5. ábra)

7.1 csatorna

Helyezzen el két hangszugárzót két oldalra, egy vonalban a középsugárzóval, kettő a hallgatók mögött legyen, körülbelül 40 fokos szögben (6. ábra)

A HELY ELŐKÉSZÍTÉSE

A hangszugárzóvezetékek kiválasztása

A túlzott ellenállású hangszugárzó kábelek teljesítményt pazarolnak és megváltoztatják a hangszugárzó frekvenciaátvitelét. Mindig próbálja az ellenállást a legalacsonyabb szinten tartani, lehetőleg 0,5 ohm hurokellenállás alatt. Használja a 10. ábra táblázatát a minimális vezeték keresztmetszet megállapításához.

Meglévő falba történő beépítés (gipszkarton, farostlemez)

Jelölje meg a hangszugárzó középpozícióját és a mércé helyzetét, így a jel látható a középső lyukban.

Rajzolja körbe a mércé külső szélét és vágja ki gondosan a vonalon épp csak belül maradvá.

A fal mechanikai épségének megőrzéséhez és az esetleges zörgések elkerülése végett, egy csepp faenyvet vagy gyantát helyezzen a gipszkarton hátsó része és a hangszugárzó tartó közé (gipszkartonnál)

A hangszugárzókábelek hosszúságát a lehető legrövidebbre vágjuk-természetesen akkorára hogy kényelmesen beköthető legyen-, hogy a fennmaradó felesleges kábel ne zörögessen a szerkezetben.

Új falazásba történő beépítés (gipszkarton, farostlemez)

A hangszugárzó a mennyezetre vagy falra is felszerelhető az előbbieken ismertetett módon, de a munkát jelentősen megkönnyíthetjük azzal, ha az opcionális beépítő keretet használjuk (PMK)

Tűzze vagy szegezze a PMK-t a tartóprofilokhoz a készlethez kapott kezelési útmutatóban ismertetett módon. Vigye a hangfalkábel a PMK-hoz és rögzítse. Hagyjon megfelelő mennyiségű vezeték a kényelmes csatlakoztatáshoz.

Az eredményt befolyásolja, hogy a gipszkarton milyen erősen van a tartóprofilokhoz erősítve, ezért a hangszugárzó közelében javasoljuk a gipszkarton lapok csavarozása vagy szegeléssel a tartóprofilokhoz történő ragasztást is.

Amennyiben különleges akusztikai elkülönítés vagy némi védelem szükséges a tűz ellen, használja az opcionális hátsó dobozt a PMK helyett. Kövesse a doboz használati útmutatójában leírtakat, a vezetékek elhelyezésével kapcsolatban.

A gipszkarton felszerelésekor használjon enyvet a lapok és a hátsó doboz felületére a zörgés kiküszöbölése érdekében. Vágja vagy fűrészelje ki a nyílást a perem segítségével.

Tömör falba történő beépítés

Hogy a mélyhang teljesítmény optimális legyen, a hangszugárzó kb. 20 literes üreget igényel. Egy 10cm-es vastagságú fal esetén az üreg túl fog nyúlni a hangszugárzó keretén. Amennyiben lehetséges egyszerűen nyílásáthidalás segítségével, a lyukat eltakarva egy gipszkartonnal, helyezze el a hangszugárzót az előbbi fejezetekben leírtan. (7. ábra)

Az üreg csillapítása

Töltse ki a falı üreget vagy a hátsó dobozt, de ne közvetlenül a hangszugárzó mögött. Célszerű béleletlen üvegyapotot vagy fonott gyapjút használni. A sűrűség akkor megfelelő, amikor a csillapító anyag nem esik össze és nem ereszkedik meg. Egy nyitott falı üregben, legalább 30cm távolságot töltsön fel a hangszugárzó felett és alatt. (8. ábra)

Mennyezet esetén vonja be kárpittal a mennyezeti lap hátulját, befedve az nyílást és kiterjesztve kb. 30centiméterre a hangszugárzó körül. (9. ábra)

FONTOS: Ügyeljen arra hogy a felhasznált csillapítóanyag, megfeleljen a helyi tűzvédelmi és biztonsági előírásoknak.

A hangszugárzó felszerelése

Minden csatlakoztatást a készülék kikapcsolt állapotában végezze el.

Csatlakoztassa a vezetékeket a megfelelő polaritás figyelembevételével.

Az eltávolított rácsos tartó hangszugárzót helyezze a nyílásba és csavarozza be az előlapon található 4 csavart (lásd a megjegyzést a fenti részben). Ezek a csavarok automatikusan kinyomják a rögzítő füleket, melyek a hangszugárzó belső felületén vannak. Ügyeljen arra, hogy a rögzítő fülek behelyezéskor megfelelő pozícióban álljanak. A csavarokat ne húzza túl, mert a keret eldeformálódhat.

A hangsugárzó beállítása

A hangsugárzók arra lettek tervezve, hogy a hallgatói területhez lehessen beállítani az irányukat. Azonban surround alkalmazásoknál általában jobb eredmény érhető el, ha a hangsugárzók nincsenek befogatva.

Ez általában a következő esetekben szükséges:

- a. A szobában túl harsogóvá válik a hang.
- b. A hallgatói környezet nagy vagy több hallgató tartózkodik a helységben. A visszavert hangok növelése és a direkt hang csökkenése jobb eredményt biztosíthat a hallgatók számára.

Személyre szabás

A keret fehér, mely festhető felülettel rendelkezik, amennyiben a lakás berendezéseivel, színvilágával szeretné harmóniába hozni.

A rács festése előtt távolítsa el azt a keretről.

Ne fesse át a meghajtó egységet vagy a hangfal rácson belüli részét. Ügyeljen a meghajtó egység biztonságára, ezért ne érintse meg, mert az sérüléshez vezethet.

Korlátozott garancia

Ezt a terméket a legmagasabb minőségi színvonalon tervezték és gyártották. Ha azonban a termék elromlik, a B&W Loudspeakers és annak hivatalos forgalmazói garantálják a térítésmentes javítást (ez alól adódhatnak kivételek) és cserealkatrészeket bármely olyan országban, amelyet egy hivatalos B&W forgalmazó lát el.

Ez a korlátozott garancia a vásárlás dátumától számított öt évig érvényes illetve elektronikai berendezésekre vonatkozóan (beleértve az erősítő tartalmazó hangsugárzókat is) két évig.

Feltételek

- 1 A garancia csak a berendezés javítására vonatkozik. A termékeknek sem szállítási és egyéb költségei, sem leszerelése, szállítása és üzembe helyezése nem tartozik ezen garancia hatásköre alá.
- 2 Ez a garancia csak az eredeti tulajdonos számára érvényes. Nem átruházható.
- 3 Ez a garancia csak a vásárlás időpontjában már fennálló, az anyagokban és/vagy a kivitelezésben bekövetkezett hibákra vonatkozik, és nem vonatkozik az alábbiakra:
 - a a helytelen üzembe helyezés, csatlakoztatás vagy csomagolás okozta károkra,
 - b a használati útmutatóban helyes használatként feltüntetett használati módtól eltérő felhasználásból, hanyagságból, módosításból vagy a B&W által jóvá nem hagyott alkatrészek alkalmazásából eredő károkra,

- c hibás vagy nem megfelelő csatlakozó eszközök által okozott károkra,
 - d baleset, villámcsapás, beázás, tűz, háború, helyi zavargások vagy más, a B&W és kijelölt forgalmazói ésszerű hatáskörén kívül eső események okozta károkra,
 - e azokra a termékekre, amelyek sorozatszámát megváltoztatták, törölték, eltávolították vagy más módon olvashatatlanná tették,
 - f ha a javításokat vagy módosításokat egy arra fel nem hatalmazott személy végezte el.
- 4 Ez a garancia kiegészít minden más, a helyi szakkereskedőkre vagy országos forgalmazókra vonatkozó egyéb törvényt és nem érintik az Ön alapvető vásárlói jogait.

Hogyan igényelje a garanciális javítást

Amennyiben javítás válik szükségessé, kérjük kövesse az alábbi eljárást:

- 1 Ha a terméket a vásárlás országában használják, akkor lépjen kapcsolatba azzal a hivatalos B&W szakkereskedővel, akitől a berendezést vásárolta.
- 2 Ha a terméket nem a vásárlás országában használják, akkor lépjen kapcsolatba a tartózkodási ország B&W forgalmazójával, aki megadja Önnek a legközelebbi szerviz adatait. Felhívhatja még a B&W-t is az Egyesült Királyságban vagy meglátogathatja honlapunkat a helyi forgalmazó kapcsolat felvételi adatainak kiderítése érdekében.

A garancia érvényesítéséhez fel kell mutatnia a garanciafüzetet, amit a szakkereskedőnek a vásárlás napján ki kell töltenie és le kell bélyegeznie. Ehelyett szüksége lehet az eredeti kereskedelmi számlára vagy a tulajdonosi viszonyt bizonyító más dokumentumra és a vásárlás dátumára.

Polski

Instrukcja użytkownika

Drogi kliencie

Dziękujemy za zakup głośników CCM818 firmy Bowers & Wilkins.

Już od swego powstania w 1966 roku, B&W kontynuuje filozofię poszukiwania metod perfekcyjnej reprodukcji dźwięku. Badania, zainspirowane przez założyciela firmy Johna Bowersa, pociągają za sobą nie tylko konsekwentne inwestowanie w technologie audio i innowacje, ale wymagają również właściwego szacunku i zrozumienia dla muzyki i filmu, dzięki czemu, możemy wykorzystywać technologię z maksymalnym efektem.

CCM818 jest audiofilskiej jakości głośnikiem sufitowym, zaprojektowanym do zastosowania w 2-kanalowych systemach audio oraz instalacjach kina domowego. Pochylona obudowa, kierująca dźwięk bardziej optymalnie w stronę miejsca odsłuchu, zapewnia uzyskanie optymalnego kąta propagacji, czego skutkiem jest poprawa jakości dźwięku i polepszenie sceny dźwiękowej niemożliwe do osiągnięcia w przypadku konwencjonalnych głośników sufitowych.

Niemniej, bez względu na to jak dobre będą same głośniki, nie wykorzystają one swego pełnego potencjału dopóki nie zostaną właściwie zamontowane. Prosimy o uważne przeczytanie tej instrukcji. Pomoże ona zoptymalizować parametry brzmieniowe całego systemu.

B&W dostarcza swoje produkty do ponad 60 krajów na całym świecie, utrzymując sieć specjalizowanych dystrybutorów, którzy są w stanie pomóc w rozwiązaniu jakichkolwiek problemów, z którymi nie może poradzić sobie Twój sprzedawca.

Ochrona środowiska



Wszystkie produkty B&W są zgodne z dyrektywami RoHS (ograniczającą użycie związków niebezpiecznych) oraz WEEE (regulującą przetwórstwo zużytego sprzętu elektrycznego i elektronicznego). Symbole te wskazują na to, że urządzenia są zgodne z dyrektywami, a również że powinny być odpowiednio przetwarzane. Skonsultuj się z lokalnym punktem składowania odpadów w celu zasięgnięcia dalszych informacji.

Sprawdź zawartość

Opakowanie powinno zawierać:

- 1 x Obudowa z głośnikami i zwrotnica
- 1 x Maskownica
- 1 x Szablon do malowania
- 1 x Szablon montażowy

Wybór miejsca montażu

Sprawdź, czy nie zachodzi konflikt z przebiegiem innych instalacji (rury wodociągowe, kanały klimatyzacyjne, instalacja elektryczna itd.). W przypadku płyt kartonowo-gipsowych, zwróć uwagę na położenie elementów stelażu nośnego, aby właściwie określić umiejscowienie głośnika. Korzystając z wykrywacza metalu, sprawdź, czy w wybranej przez Ciebie lokalizacji nie przebiegają żadne rury.

Korzystając z ilustracji, upewnij się, że pod płytą gipsową pozostaje dostateczna ilość miejsca, aby zaciski mogły się w pełni odchylić.

Unikaj umiejscawiania głośników w przestrzeni, w której znajdują się kanały o cienkich ściankach, gdyż może to powodować brzęczenie podczas pracy głośników.

Głośniki zostały zaprojektowane tak, aby działały w satysfakcjonujący sposób, w szerokiej gamie możliwych objętości komór. Optymalną wielkością jest 20 litrów, więc upewnij się, że komora, w której ma pracować głośnik nie jest zbyt ograniczona poprzez stelaż mocujący płytę gipsową.

Bądź przygotowany do zrobienia otworu w murze/suficie, w przypadku tworzenia instalacji ściennych/sufitowych. Otwór ten powinien być większy od wielkości głośnika, w celu odpowiedniej reprodukcji tonów niskich.

Głośniki zostały zestrojone w taki sposób, aby były montowane pośrodku ich przestrzeni roboczej. Umiejscowienie w pobliżu połączenia ściany i sufitu, może powodować nadmierny wzrost reprodukcji basu, a w wyniku tego dudniące brzmienie. Postaraj się umieścić głośnik przynajmniej 0,5 metra od krawędzi pomiędzy ścianą a sufitem.

Kolejne rozdziały zawierają wskazówki dotyczące optymalnego pozycjonowania głośników. Może być ono jednak modyfikowane w zależności od wymogów, jakie stawia konkretne wnętrze.

Rozproszone pola magnetyczne

Zastosowane w kolumnach głośniki posiadają układy magnetyczne generujące rozproszone pola magnetyczne poza obudową kolumny. Zalecamy, aby urządzenia i podzespoły czułe na oddziaływanie pola magnetycznego takie jak (kineskopy telewizorów i monitorów komputerowych CRT, twarde dyski komputerów, kasety audio i wideo, dyskietki itp.) trzymać w odległości co najmniej 0,5 m od głośników. Ekrany LCD oraz telewizory plazmowe nie są podatne na pola magnetyczne.

Głośniki przednie w systemach audio i instalacjach kina domowego

CCM818 jest idealnym rozwiązaniem w przypadku, gdy zachodzi potrzeba zamontowania głośników w suficie tak, aby ingerowały w wystrój wnętrza w możliwie najmniejszym stopniu. W instalacjach kina domowego głośniki powinny być zamontowane w odległości ok. 0,5 metra od płaszczyzny ekranu, zaś w przypadku systemów audio, 0,5 metra od

przedniej ściany. Ramka powinna być ustawiona w taki sposób, żeby głośniki średnio/niskotonowe były skierowane bezpośrednio w kierunku przestrzeni odsłuchowej. (rysunek 1)

W systemach 2-kanałowych, głośniki powinny tworzyć kąt 40° do 60° w stosunku do centrum miejsca odsłuchu. (rysunek 2)

W przypadku instalacji kina domowego, lewy i prawy głośnik przedni, powinny być umieszczone w odległości ok. 0,5 metra od boków ekranu. (rysunek 3)

Głośniki efektowe

Głośniki powinny być zamocowane w suficie w taki sposób, żeby głośniki średnio/niskotonowe były skierowane bezpośrednio w kierunku przestrzeni odsłuchowej.

System 5.1

Kąt poziomy, zawarty pomiędzy głośnikami efektowymi, miejscem odsłuchu a środkiem ekranu powinien wynosić ok. 120°.

W przypadku takiego systemu, głośniki mogą być również w powodzeniem zamontowane w ścianach. Powinny być ustawione co najmniej 60cm powyżej poziomu uszu z ramkami skierowanymi w taki sposób, żeby głośniki średnio/niskotonowe były skierowane bezpośrednio w kierunku przestrzeni odsłuchowej. (rysunek 4)

System 6.1

Umieść dwa głośniki w jednej linii ze środkiem przestrzeni odsłuchowej, a jeden za słuchaczami, w taki sposób, żeby głośniki średnio/niskotonowe były skierowane bezpośrednio w kierunku przestrzeni odsłuchowej. (rysunek 5)

System 7.1

Umieść dwa głośniki po bokach, w jednej linii ze środkiem miejsca odsłuchu, oraz kolejne dwa centralnie za słuchaczami, pod kątem 40°. (rysunek 6)

PRZYGOTOWANIE MIEJSCA MONTAŻU

Wybór przewodu

Nadmierna rezystancja przewodu głośnikowego powoduje utratę mocy i różnicowanie charakterystyki częstotliwościowej głośnika. Zawsze staraj się, aby rezystancja kabla była tak niska jak to tylko możliwe. Preferowana wartość to 0,5 ohma. Korzystając z tabeli rysunku 10, oblicz minimalną, wymaganą długość przewodu.

Montaż w istniejącej konstrukcji ściany gipsowo-kartonowej

Zaznacz środkowy punkt głośnika, a następnie przyłóż szablon tak, aby znak znajdował się w centrum otworu.

Wyrusuj linię wokół zewnętrznej krawędzi szablonu, a następnie precyzyjnie wytnij płytę, prowadząc ostrze po wewnętrznej stronie narysowanej linii.

Aby poprawić mechaniczną spójność konstrukcji sufitu, oraz zredukować prawdopodobieństwo występowania brzęczenia, w pobliżu miejsca zamocowania głośnika, w punktach styecznych tyłu płyty gipsowej ze stelażem nośnym, zalecamy zastosowanie kleju do drewna lub plastycznej masy.

Poprowadź przewód do komory, w której będzie pracował głośnik w taki sposób, aby można go było wygodnie podłączyć. Jednakowoż nadmiar kabla nie jest wskazany, gdyż stykając się z konstrukcją sufitu, może on powodować brzęczenie.

Nowo wznoszona ściana gipsowo-kartonowa

Głośnik może być zainstalowany po skończeniu budowania sufitu lub ściany, w analogiczny sposób, jak ma to miejsce w przypadku montażu w już istniejącej konstrukcji. Łatwiej jest jednak pozycjonować głośnik i wycinać otwór, jeśli przed zamocowaniem płyty zastosowany zostanie opcjonalny zestaw montażowy PMK.

Za pomocą zszywek lub gwóźdź, przymocuj zestaw montażowy PMK do stelaża, jak opisano to w jego instrukcji. Poprowadź przewód i przymocuj go do punktu zamocowania PMK. Dostosuj długość przewodu tak, aby móc wygodnie podłączyć głośnik, pamiętaj jednak, że jego nadmierna długość może powodować brzęczenie.

Końcowy rezultat uzależniony jest od tego, na ile dobrze płyta przymocowana jest do stelaża, dlatego też zalecamy, aby w pobliżu głośnika dodatkowo przykręcić panele do stelaża lub zastosować klej.

Jeśli płyta zostanie zamontowana, wewnętrzna krawędź PMK służy jako szablon do wycięcia otworu.

Lita konstrukcja ściany

Aby uniknąć degradacji jakości odtwarzania basu, głośnik wymaga komory o objętości nie mniejszej niż 20 litrów. Oznacza to, że w przypadku standardowej ściany o grubości 10 cm, komora, w której pracuje głośnik musi mieć powierzchnię wykraczającą rozmiarem poza krawędzie ramki. Możliwe jest uzyskanie takiej objętości poprzez zastosowanie nadproża, przykrycie otworu płytą gipsowo-kartonową i zamocowanie głośnika w analogiczny sposób jak ma to miejsce w przypadku istniejącej konstrukcji gipsowo-kartonowej. (rysunek 7)

Wygluszenie komory głośnika

Wypełnij komorę w ścianie włóknem szklanym lub matą z waty mineralnej. Gęstość upakowania materiału głuszącego powinna być taka, aby nie występowało jego odpadanie lub zwisanie. W przypadku komory umieszczonej w otwartej przestrzeni ściany, zastosuj wygluszenie przynajmniej na przestrzeni 30 cm poniżej i powyżej głośnika. (rysunek 8)

Wyłóż komorę głośnika w suficie materiałem głuszącym tak, aby zakryć pustkę i pozostawić minimum 30 cm wokół głośnika. (rysunek 9)

WAŻNE: Upewnij się, że materiały głośzące, których używasz spełniają lokalne standardy niepalności.

Zamocowanie głośnika

Wszelkie podłączenia mogą być wykonywane jedynie, gdy urządzenia są wyłączone.

Podłącz przewód głośnikowy zwracając uwagę na polaryzację.

Przy zdjętej maskownicy, ustaw głośnik w właściwym miejscu i przykręć 4 wkrętami widocznymi od przodu (przeczytaj uwagę umieszczoną pod paragrafem „Sprawdź zawartość”). Wkręty te automatycznie odchylają uchwyty znajdujące się za pod powierzchnią ściany. Przed końcowym dokręceniem wkrętów, upewnij się, że wszystkie zaciski znajdują się na swoich miejscach. Ramka posiada pewną elastyczność, aby zniwelować ewentualną nierówność płaszczyzny montażowej, jednak nie dokręcaj wkrętów zbyt silnie, gdyż może to zdeformować ramkę.

Ustawienie głośnika

Głośnik ten został zaprojektowany w taki sposób, aby mógł być skierowany w stronę miejsca odsłuchu, co w większości przypadków daje najlepszy efekt. Jednakże w przypadku niektórych zastosowań głośników efektowych, lepsze efekty można uzyskać kierując dźwięk poza miejsce odsłuchu.

W szczególności może to mieć zastosowanie jeśli:

- Pokój jest szczególnie „żywy” i dźwięk staje się ostry.
- Miejsce odsłuchu stanowi sporą część pomieszczenia. Zwiększenie ilości odbitego dźwięku oraz zredukowanie ilości dźwięków docierających bezpośrednio, może zapewnić lepsze ogólne zbalansowanie głośników względem słuchacza.

Indywidualne dostosowanie

Ramka głośnika wykonana została z przygotowanego do pokrycia farbą, białego, półmatowego materiału, który może zostać pomalowany, aby dostosować jego wygląd do koloru ściany.

Przed pomalowaniem maskownicy, zdejmij ją z ramki.

Nie maluj panelu pod maskownicą ani głośników.

Unikaj dotykania głośników, gdyż może to doprowadzić do ich uszkodzenia.

Gwarancja

Ten produkt został zaprojektowany i wyprodukowany zgodnie z najwyższymi standardami jakości. Jednak, jeśli zdarzy się jakaś awaria, firma B&W Group Ltd. oraz jej międzynarodowi dystrybutorzy gwarantują bezpłatny serwis (wyjątki mogą wystąpić) na części i robociznę w każdym kraju, w którym jest autoryzowany dystrybutor B&W.

Warunki gwarancji

- Gwarancja odnosi się tylko do naprawy sprzętu. Ani transport, ani żadne inne koszty, włącznie z ryzykiem przenoszenia, transportu i instalacji produktów nie są objęte tą gwarancją.
- Gwarancja jest ważna tylko dla pierwszego właściciela. Nie przechodzi na następnych właścicieli.
- Gwarancja obejmuje tylko i wyłącznie wady materiałowe lub inne wady ukryte w dniu zakupu. Gwarancja nie ma zastosowania w odniesieniu do:
 - uszkodzeń spowodowanych niewłaściwą instalacją, podłączeniem lub zapakowaniem produktu,
 - uszkodzeń spowodowanych niewłaściwą eksploatacją, niezgodną z instrukcją obsługi, modyfikacjami produktu lub wykorzystaniem części, które nie pochodzą od lub nie mają autoryzacji B&W,
 - uszkodzeń spowodowanych przez popsute lub niewłaściwe urządzenia towarzyszące,
 - uszkodzeń spowodowanych przez wypadki losowe, udary pioruna, wodę, pożar, czy inne czynniki, pozostające poza kontrolą firmy B&W i jej autoryzowanych dystrybutorów,
 - produktów, których numer seryjny został zamazany, usunięty lub przerobiony,
 - oraz w przypadku gdy wykonano już naprawy lub modyfikacje przez firmy lub osoby nieautoryzowane.
- Ta gwarancja jest dopełnieniem prawnych podstaw udzielania gwarancji, obowiązujących na terenie danego kraju i nie narusza statutowych praw klienta.

Jak reklamować sprzęt na gwarancji

Jeśli zaistnieje potrzeba oddania produktu do serwisu, prosimy zastosować się do następującej procedury:

- Jeśli sprzęt jest używany w kraju zakupu, powinieneś skontaktować się z autoryzowanym dealermem, u którego sprzęt został zakupiony.
- Jeśli sprzęt jest używany poza granicami kraju, powinieneś się skontaktować z dystrybutorem B&W właściwym dla miejsca zamieszkania w celu uzyskania informacji, gdzie sprzęt może być serwisowany. Możesz zadzwonić do B&W w Wielkiej Brytanii lub odwiedzić naszą witrynę internetową aby uzyskać kontakt do lokalnego dystrybutora.

Aby nadać gwarancji ważność, musisz wysłać ją wypełnioną i podstemplowaną przez swojego dealera. Dodatkowo, konieczny jest dowód zakupu stwierdzający jego datę.

日本語 取扱説明書

お客様へ

Bowers and Wilkins CCM818 スピーカーをお買い上げいただきありがとうございます。

1966年の創設以来一貫してこだわってきたB&Wの哲学は音の完全な再生を追求することです。我が社の創設者である故ジョン・パワーズの考えに基づき、この追求には、オーディオ技術と革新への大きな投資だけでなく、音楽と映画の理解を続けることによって技術の効果を最大限に引き出す作業が必要です。

CCM818はオーディオマニア・クオリティのスピーカーで、主に2チャンネルおよびホームシアター用に天井内に取り付ける設計となっています。パツフルに傾斜が付いているので最適なリスニング軸をより適切にリスニング領域に向けることができます。これにより、通常の天井マウント式スピーカーではできないような高品質な音とイメージ作りが可能になります。またウォールマウント式のサラウンドスピーカーとしてもお使いいただけます。

しかし、どれほど優れたスピーカーでも適切に設置しなければ最大の性能を発揮することはできません。この説明書をよくお読みいただいてシステムの性能を最適なものにしてください。

B&Wは世界60ヶ国以上に販売会社のネットワークを有しており、お買い求めの販売店では解決できない問題に対応しております。

環境情報



全てのB&W製品は欧州指令であるWEEEとRoHSに対応した設計がなされています。それらのシンボルマークは、製品がこれらの指示に従って適切に再生されなければならないか、または処理しなければならない事を表しています。処理方法については、お住まいの地域の廃棄物ゴミ処理機構に相談してください。

中身の確認

梱包には以下が含まれています。

ドライブユニットとクロスオーバー付きのパツフル1個
グリル1個
塗装用マスク1個
配置用テンプレート1個

設置位置の選択

他の設置物(配管、空調装置、電源ケーブルなど)に接触しないことを確認してください。既存のドライ壁構造では、スタッドツールを用いて正確に構造を把握し、配管検出器で設置予定位置をスキャンします。

スピーカーの断面図を見て、石膏ボード(シートロック)の後ろにクランプが完全に飛び出るだけの隙間があることを確認してください。

スピーカーは軽いダクトと同じ空間に設置しないでください。不要な音が出る可能性があります。

このスピーカーは広い空間内で十分に機能するよう設計されています。理想的には15リットル(0.5立方フィート)必要です。この大きさを十字スタッドで制限し過ぎないようにしてください。

硬質壁/天井の場合、壁/天井内部にはスピーカー・フレームより大きな目の空間を作れるようにしてください。そうしないと低音特性が損なわれます。

スピーカーは半空間取り付け(天井やソフィットと同一平面)でバランスをとっています。壁/天井の接合点やコーナーに設置すると低音が強くなりすぎて低音の響きすぎた音になります。スピーカーは壁/天井の端から少なくとも0.5m(20インチ)は離してください。

次のセクションでは最適な設置位置について説明します。これは国内規制に従って変更される場合があります。

漏洩磁界

スピーカーのドライブユニットは、キャビネットを越えて磁界を発生させます。磁力に反応しやすい物品(ブラウン管テレビやコンピュータのモニター、フロッピー・ディスク、オーディオ/ビデオ・テープ、キャッシュ・カード類など)はスピーカーから少なくとも0.5メートル(20インチ)は遠ざけておいてください。液晶テレビやプラズマテレビは漏洩磁界に影響されません。

オーディオ用またはホームシアター用のフロントスピーカー

スピーカーを天井に設置してできるだけ邪魔にならないようにしたいのならCCM 818は最適なスピーカーです。ホームシアター用では、画面から約0.5m(20インチ)離れた所に取り付け、オーディオ用では正面の壁に取り付けます。フレームは、低域用/中域用ドライブユニットをリスニング領域に向けられるように回転できなければなりません(図1)。

2チャンネルでは、リスニング領域の中央から40~60度の範囲にスピーカーを設置します(図2)。

ホームシアター用では、左右のスピーカーを画面の側面から約0.5m(20インチ)離れた所に置きます(図3)。

サラウンドスピーカー

サラウンドスピーカーは通常天井に取り付け、低域用/中域用ドライブユニットがリスニング領域中央に向くようフレームを回転させます。

5.1チャンネル

リスニングポジション中央に対する水平角は画面中央から約120度になります。

5.1チャンネルではまた、スピーカーを側壁に取り付けることもできます。耳の高さから60cm(2フィート)以上の位置に設置し、低域用/中域用ドライブユニットがリスニング領域中央に向くようフレームを回転させます(図4)。

6.1チャンネル

2つのスピーカーをリスニング領域中央の線上の両サイドに置きます。1つはリスナーの真後ろに置き、低域用/中域用ドライブユニットがリスニング領域中央に向くようフレームを回転させます(図5)。

7.1チャンネル

2つのスピーカーをリスニング領域中央の線上の両サイドに置きます。2つをリスナーの後ろに約40度の角度で置きます(図6)。

設置場所の準備

ケーブルの選択

スピーカーケーブルの抵抗が大きすぎると電力が浪費され、スピーカーの周波数レスポンスが変わります。できればループ(+、-合計)の抵抗を0.5オーム未満に抑えてできる限り抵抗を小さくします。図10の表を用いて必要なケーブルの最小長を計算してください。

既存のドライ壁構造(改装)

スピーカーの中央位置に印を付け、この印が真ん中の穴から見えるようにテンプレートを置きます。

テンプレートの外縁をなぞってラインのちょうど内側を切ります。

天井または壁の機構的統合性を良くし、不要な音を抑えるために、石膏ボードの後ろとスピーカーの近くにあるスタッドとの接合部分に沿って木工ボンドがマスチックを少し塗ることをお奨めします。

開口部にケーブルを這わせませす。適切にスピーカーに接続できるくらいの長さにしてください。あまり長くなりすぎないようにしてください。長すぎると壁構造に触れて不要な音が出る場合があります。

新設のドライ壁構造

天井または壁が完成したら、改装の場合と同じようにスピーカーを設置できますが、石膏ボード(シートロック)を取り付ける前にオプションのプレマウントキット(PMK)を用いれば位置決めと穴あけもさらに簡単にできます。

キットの説明に従ってPMKをスタッドに留めるかまたはクギで打ち付けてください。ケーブルを這わせてPMKの固定ポイントに固定してください。適切にスピーカーに接続できるくらいの長さにしてください。あまり長くなりすぎないようにしてください。ケーブルが長すぎると壁構造に触れて不要な音が出る場合があります。

石膏ボードをどれくらいうまくスタッドに取り付けられるかによって結果が変わってきます。スピーカー付近にあるスタッドにパネルを貼り付けるか、ネジ止めするか、あるいはクギで打ち付けるようお奨めします。

ボードを取り付けると、PMKの内側のフランジが、穴あけ機やノコギリで穴をあける際の目安となります。

硬質壁構造

低音特性を落とさないようにするためにはスピーカーには最低20リットル(0.7立方フィート)の空洞が必要となります。標準の10cm(4インチ)厚の壁では、空洞はスピーカー・フレームより大きくなります。横架材を使ってこの空洞を作り、石膏ボードで穴を覆って、上記のドライ壁での改装の場合と同じようにスピーカーを取り付けることができます(図7)。

空洞を埋める

壁の空洞には、スピーカーの設置場所を空けて裏地のないファイバーグラスまたは鉱質綿を詰めます。密度は、時間と共に資材が落下したり下がったりしない程度にしてください。あいた壁の空洞には、最低限スピーカーの上下30cm(1フィート)まで詰めてください(図8)。

天井には天井ボードの後ろにマットを掛けて開口部を覆い、スピーカー周囲から少なくとも30cm(1フィート)を開放空間にします(図9)。

重要: 資材は地域の防火安全規則に合ったものを使用してください。

スピーカーの取り付け

接続を行う場合は機器のスイッチを切ってから行ってください。

極性が正しいことを確認しながらケーブルを接続します。

グリルを取り外し、スピーカーを開口部に置いて、前面から見える4個のネジを留めます。("中身の確認"の項に書かれている注意事項を良くお読みください。)これらのネジは取り付け面の後部にある取り付け用クランプ脚を自動的に振り出します。ネジを完全に締める前に適切な位置にあることを確認してください。取り付け表面を平らにするためフレームを少し曲げることはできませんが、ネジを締めすぎないでください。スピーカー・フレームが変形する可能性があります。

スピーカーの調整

スピーカーはリスニング領域に向けられるように設計されています。たいいていの場合これで最高のサウンドが得られますが、一部のサラウンドスピーカーでは、リスニング領域に向けられない方が良いサウンドが得られる場合があります。

一般的に次のような場合です。

- 特に音が良く響く部屋で、音が耳障りになる場合。
- リスニング領域が部屋の大半を占める場合。反響音を増やし直接音を減らすとすべてのリスナーにとってスピーカーのバランスが良くなります。

カスタマイズ

フレームとグリルは塗装可能なホワイトのセミマット仕上げになっています。ご自分の部屋の装飾に合わせてもう一度仕上げを行うことができます。

グリルを塗装する前に、フレームからグリルを取り外してください。

グリルの後ろにあるドライブユニットやバッフルの部分は再仕上げしないでください。付属の塗装用マスクを使用してください。ドライブユニットには触れないようにしてください。損傷する可能性があります。

保証期間

当社製品は高い品質水準で設計・製造されておりますが、万が一製品に不備のある場合は、B&W公認代理店のあるいかなる国においても、B&W Group Ltd. およびその各国代理店が無料で修理(例外もあり)および部品交換をいたします。

この保証期間は、購入の日から5年間またはアンプ内蔵、または付属のスピーカーを含む電子機器の場合には2年間有効となります。

保証条件:

- 保証範囲は、製品修理に限定されます。交通費、その他の費用、また製品の取り外し、移動、設置に起因する故障の危険は当保証の対象外となっております。

- 2 当保証は、製品購入時に不良部品および製造上の欠陥があった場合のみに適用されます。以下の項目は適用外となりますのでご了承ください。
 - a. 不適切な設置、接続、包装によって生じた損傷。
 - b. 取扱説明書に記された正しい使用方法以外の使い方、本人の過失、改造、また B&W 製またはその認定する以外の部品を使用したことによって生じた損傷。
 - c. 不良または不適切な付属器具によって生じた損傷。
 - d. 事故、雷、水害、火災、熱、戦争、争乱、また B&W およびその公認代理店の常識的管理の範囲を超えた不可抗力による損傷。
 - e. 製造番号が修正、削除、取り外し、また故意に判読不明にされた製品。
 - f. 認定外の者による修理、改造が行われた場合。
- 3 当保証は、各国/地方行政の定める代理店または各国代理店に課された義務を補足するものであり、消費者としての法定権利には影響しません。

保証期間中の修理について

修理を希望されるかたは以下の手順にて手続きをしてください。

- 1 製品を購入された国で使用されているかたは購入された販売店または公認代理店に連絡してください。
- 2 製品を購入された国以外で使用している場合はイギリスの B&W に連絡して頂くか、我々の web サイトを訪れて下さい。あなたの地域の連絡先を知ることができます。

保証期間中の無料修理を受けるには保証書に販売店の捺印および購入日の記入がされていることが必要です。

中文 用户说明书

亲爱的顾客：

感谢阁下选用 B&W CCM818 扬声器。

自从 1966 年公司成立以来，B&W 公司的延续理念始终是追寻完美回放。受到公司创始人、已故的约翰·鲍尔斯相 (John Bowers) 的鼓舞，这种完美追求不但继承了在音响技术上的高额投资，同时还继承了对音乐和电影持之以恒的欣赏力，以确保发挥技术的最佳效果。

CCM818 是一款发烧级高品质扬声器，主要是为天花板安装设计，用于 2 声道和家庭影院设备。它成角形的障板使最佳收听中心线更加直接地朝向收听区域，这样，既提高了音质，也加强了想象力，这是一般的天花板音响设备所不具备的。它还可用于壁式环绕扬声器。

然而，不管自身多么优良的扬声器，只有当被安装在最佳位置，它们才会发挥出最佳性能。请仔细阅读完本手册。它会帮助阁下让阁下的音响系统发挥最佳的性能。

B&W 分销世界各地 60 多个国家，有一个完善的经销商网络，如果阁下的销售商不能解决阁下遇到的问题，通过这个网络，可以帮助阁下解决。

环保信息



所有 B&W 产品的设计均符合国际上有关电子和电气设备的“有害物质限制指令 (RoHS)”的规定和“废弃电子电气设备指令 (WEEE)”的处置规定。这些标志说明了它的相符性以及产品必须恰当回收或者按照这些规定进行处理。请向当地废物处理局咨询。

检查包装内容

本包装中含有：

- 1 x 带驱动单元和分音器的障板
- 1 x 网面
- 1 x 油漆档罩
- 1 x 定位模板

选择摆放

检查一下，是否有其它装置冲突（如管道工程、空气调节装置或者电源线路，等等）。在现有的干饰面内墙结构中，使用一个柱头螺旋探测工具，准确地标示出结构，然后用一个管式探测器检查安装位置是否存在冲突物。

参阅扬声器制图章节，确保石膏板（石膏灰胶纸夹板）后面有足够的空隙，使夹子可以完全的摆动出来。

不要在同一个窄腔上安装多个扬声器，因为薄薄的导管会引起咣咣咣的响声。

此扬声器的设计，在空腔体积较大的变化范围内，均可以随意地操作，最理想的大小是在 20 升 (0.7 立方英尺) 以上，因此，确保空腔大小不要过于被交叉饰阻限制。

在坚固的墙壁结构/天花板中，要在墙壁/天花板上凿个洞，一直延伸到外部，扬声器框架的边界处，否则就会影像到低音效果。

安装一半空间的扬声器（即：在天花板或者下端背面齐平），要保持平衡。摆放在墙和天花板的交叉处或者摆

放在一个角上，可能会引起太多的低音，听起来就像轰炸的声音。保持扬声器距离墙壁或者天花板边缘至少 0.5 米（20 英寸）。

以下章节会指导阁下将扬声器摆放在最佳位置，但是根据具体的室内限制条件，摆放可以有所变动。

杂散磁场

扬声器的驱动系统可产生延伸到音箱周边以外地方的杂散磁场。我们建议你将对磁场过敏的物体（如传统的电视机和计算机屏幕、计算机软盘、信用卡等）放置离其至少 0.5 米（20 英寸）的地方。液晶电视和等离子电视不会受这种磁场的影响。

音响或者家庭影院的前置扬声器

如果需要将扬声器安装在天花板上，那么 CCM818 扬声器是最理想的选择，这样就会尽可能地不引起注意。对于家庭影院，扬声器应该安装在距离屏幕平面大约 0.5 米（20 英寸）的地方，或者前墙，如果仅是只作声响用途。框架应该可以旋转，这样低音/中音驱动单元就可以直接朝向收听区域。（图 1）

对于 2 声道扬声器，安装时，要在收听区域的中央，成 40-60 度角。（图 2）

对于家庭影院，左和右扬声器要距离屏幕边缘大约 0.5 米（20 英寸）。（图 3）

环绕扬声器

一般来说，扬声器要和可旋转的框架一起安装在天花板上，这样低音/中音驱动单元就可以直接朝向听听的中央区域。

5.1 声道

收听位置中心的水平角距离屏幕中央大约是 120 度。

对于这个应用，扬声器还可以成功地安装在墙壁上。他们要和可旋转的框架一起摆放在高出耳部高度之至少 60 厘米（2 英尺）的位置，这样低音/中音驱动单元就可以直接朝向听听的中央区域。（图 4）

6.1 声道

根据收听区域的中心位置，将两个扬声器摆放在两边，一个摆放在听众后面的中央，旋转各个框架，使得低音/中音驱动单元就可以直接朝向听听的中央区域。（图 5）

7.1 声道

根据收听区域的中心位置，将两个扬声器摆放在两边，两个同时摆放在听众后面，大约成 40 度角。（图 6）

选定位置

电线选择

扬声器电线的额外电阻耗电，同时也改变了扬声器的频率反应。尽可能保持较低的电阻，于非关键性的设备使用 0.5 欧姆以下的回路电阻，或使用低于 0.2 欧姆来获取更佳效果。使用图 10 中的表格，计算出电线所需的的最小电阻规格。

现有干饰面内墙结构（式样翻新）

在扬声器的中央位置标上记号，然后将模板定好位，使得标记透过中间的孔显示出来。

在模板的外边缘周围画上痕迹，然后齐整地沿着内线剪下。

为了提高天花板或者墙壁的机械完整性，减少喀喀喀响的发生，我们建议阁下在扬声器的附近，沿着石膏板的背部和螺钉的接合处涂上木胶或者木粘剂。

将电线穿过缝隙，留出足够的长度，以便轻松接到扬声器上，但也不要太长，过长可能也会引起结构发出响声。

全新干饰面内墙结构

天花板或者墙壁经过同样风格的翻新之后，就可以安装扬声器了，但是，如果阁下在安装石膏板（石膏胶灰纸夹板）之前，就已经使用了另购的 PMK 预安装工具的话，那么定位、凿孔就会变得更加容易。

参照说明书操作方法，用工具将 PMK 牢牢地钉在螺栓上。穿过电线，并确保电线牢牢地固定在 PMK 的固定点上。留出足够的长度，以便轻松接到扬声器上，但也不要太长，过长可能也会引起结构发出响声。

石膏板和螺栓连接的好坏会直接影象到安装的最后效果，因此我们建议，在扬声器附近，用胶水和钉子将面板固定好。

板子安装好之后，PMK 的内部边缘就可以用来引导挖孔或者锯孔。

实心墙结构

为了不影响到低音效果，安装扬声器的孔洞至少要 20 升（0.7 立方尺）。这也就是说，在一个标准的 10 厘米（4 英寸）厚的墙壁上，孔洞大小要延伸至扬声器结构边缘之外。很简单，只要使用一根过梁，就可以做好这个孔洞，然后用石膏板盖住这个孔，按照上面所述的方法在干饰面内墙上安装扬声器。（图 7）

孔洞阻尼

用无衬里的纤维玻璃或者矿棉席将墙上的孔洞全部填满，只留下安装扬声器需要的空间。组装密度要足以轻松保护材料在使用一段时间后不会掉下或者下垂。对于敞开的墙壁孔洞，充满范围至少在扬声器的上部或者下部 30 厘米（1 英尺）距离。（图 8）

在天花板上，调整席子在天花板背部的位置，盖住空腔，并且在扬声器周围至少向空旷处延伸 30 厘米（1 英尺）。（图 9）

特别注意：确保阁下所使用的材料都符合当地火警和安全守则。

安装扬声器

在连接所有的设备过程中，都要保持断电状态。

连接电线时，一定要观察电线的正确极性。

将面网撤离后，将扬声器摆放在孔洞中，并且拧紧在前面可以看得到的 4 个螺丝钉（参看上述包装内容之部份）。这些螺丝钉会自动回转出定位在安装表面后面的夹销。在完全拧紧螺丝钉之前，一定要确保这些夹销定位在适当的位置。框架约可弯曲性可以使它抚平安装表面上不平坦的地方，但是，也不要过于拧紧螺丝钉，因为这样可能会导致扬声器框架的过度变形。

调整扬声器

扬声器在设计上是朝向收听区域的，而多数事实证明，这样的确会达到最好的收听效果。然而，如果声音不是直接朝向收听区域，使用环绕扬声器，可以获得更好的全面的收听效果。

在下面情况下，使用这款扬声器，就更加合适：

- a 房间布置特别鲜活，声音很刺耳。
- b 收听区域占据整个房间较大的比例。增加回音，降低直接朝向的音量可以为所有的听众在扬声器之间带来较好的均衡音量。

定制

框架和面网具有一个可上漆的白色部分糙面装修，如果需要再次修整以符合阁下自己的装饰格调，这就随时可以派上用场。

于面网上漆前请把它取出。

千万不要重新装饰面网后面的驱动单元或者障板区域。使用配备的油漆面罩。不要接触到驱动单元，否则就会导致设备损坏。

有限担保

本产品按照最高质量标准设计和制造。不过，假如产品有任何问题，B&W Group Ltd 及其在全国的分销商将免费在 B&W 正式的分销商所服务的国家提供相关服务（除外也适用）和配件替换。

此有限保修的有效期为 5 年，从购买之日起算起。对于包括电子产品在内的有源扬声器，其保修期为 2 年。

使用条款及条件

- 1 保修仅限于对设备的维修。保修既不包括运费和其它费用，也不包括产品移动、搬运和安装中的风险。
- 2 本保修不具有转让性，仅对原所有者有效。
- 3 本保修不适用于除了在购买时原材料和（或）工艺的缺陷以外的情形，以及下列情形：
 - a. 由于不正确的安装、连接和包装所引起的损坏；
 - b. 因未按照使用手册里面的正确方法使用、过失、修改而引起的损坏，或使用非 B&W 或其授权的配件而引起的损坏；
 - c. 有失误或不适当的辅助设备所引起的损坏；
 - d. 由事故、闪电、水灾、火灾、战争、骚乱所引起的损坏，或在 B&W 及其指定的分销商合理控制范围之外的因素所引起的损坏；
 - e. 产品序列号被修改、删除、移去或变得模糊不清的产品；
 - f. 如维修和改动是未经授权的人所完成的；
- 4 本保证可补充任何零售商或分销商的国家或地区的法律责任，它并不影响你作为客户的法律权利。

如何在保修期内要求维修：

如要求提供服务，请按照下列程序办理：

- 1 如果设备正在购买的国家内使用，你应该与从其购买设备的零售商联系。
- 2 如果设备是在购买的国家以外使用，你应当与居住国的 B&W 国内销售商联系，它们会告诉你那里可以修理设备。你可以打电话给英国的 B&W 或浏览我们的网站来获取你们当地销售商的联系详情。

为使本保修有效，你须要填写及保存本保修手册，并由你的零售商盖上购买的日期。或者，你须提供购买单据之正本或可证明购买日子及拥有权之凭证。

EU DECLARATION OF CONFORMITY

We,

B&W Group Ltd.

whose registered office is situated at

Dale Road, Worthing, West Sussex, BN11 2BH, United Kingdom

declare under our sole responsibility that the product:

CCM818

complies with the EU Electro-Magnetic Compatibility (EMC) Directive 89/336/EEC, in pursuance of which the following standards have been applied:

EN 61000-6-1 : 2001

EN 61000-6-3 : 2001

EN 55020 : 2002

EN 55013 : 2001

and complies with the EU General Product Safety 2001/95/EC, in pursuance of which the following standard has been applied:

EN 60065 : 2002

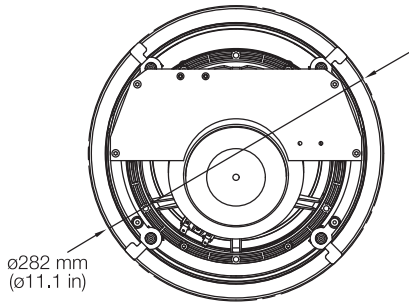
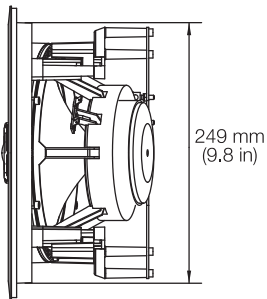
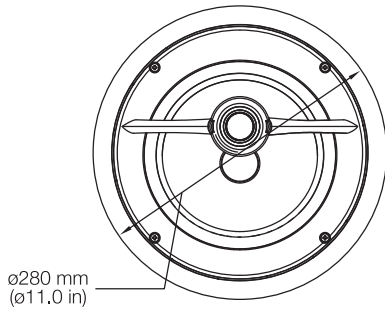
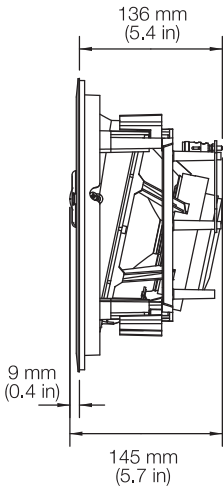
This declaration attests that the manufacturing process quality control and product documentation accord with the need to assure continued compliance.

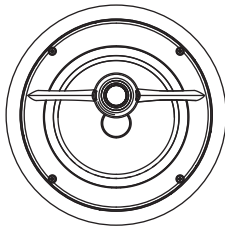
The attention of the user is drawn to any special measures regarding the use of this equipment that may be detailed in the owner's manual.

Signed:



G Edwards
Executive Vice President, Operations
B&W Group Ltd.





CCM818

Technical features	Angled baffle Woven Kevlar® bass/midrange driver Nautilus™ tube-loaded tweeter
Description	2-way in-ceiling/wall speaker system
Drive units	1x ø25mm (1 in) tube-loaded aluminium dome high-frequency 1x ø200mm (8 in) woven Kevlar® cone bass/midrange
Frequency range	-6dB at 40Hz and 50kHz
Frequency response	45Hz-22kHz ±3dB on reference axis
Sensitivity	90dB spl (2.83V, 1m)
Nominal impedance	8Ω (minimum 3.5Ω)
Crossover frequency	3.5kHz
Recommended amplifier power	150W continuous into 8Ω on unclipped programme
Frame size	Diameter: 280mm (11 in)
Cut-out size	Diameter: 254mm (10 in)
Min depth req	136mm (5.4 in) behind ceiling/wall surface 14mm (0.6 in) in front of ceiling/wall surface
Net weight	2.6kg (5.7 lb)

B&W Bowers & Wilkins

B&W Group Ltd
Dale Road
Worthing West Sussex
BN11 2BH England

T +44 (0) 1903 221800
F +44 (0) 1903 221801
info@bwgroup.com
www.bowers-wilkins.com

B&W Group (UK Sales)
T +44 1903 221 500
E uksales@bwgroup.com

B&W Group North America
T +1 978 664 2870
E marketing@bwgroupusa.com

B&W Group Asia Ltd
T +852 2 869 9916
E info@bwgroup.hk

Kevlar is a registered trademark of DuPont.
Nautilus is a trademark of B&W Group Ltd.
Copyright © B&W Group Ltd. E&OE
Printed in UK.